

GENERAL

Detection Equipped for magnetic position detectors
Fluid Air or neutral gas, filtered, lubricated or not
Operating pressure 2 to 10 bar
Ambient temperature -10°C to +70°C

CONSTRUCTION

Body Light alloy
Piston rod Stainless steel (Ø20 mm)
 Hard chrome steel (other diameters)
Load carrying plate Light alloy
Guiding rods Ø 20-25 chrome plated steel
 Ø 32 to 100 hard chrome steel
Bearing Self lubricating
Internal parts POM (polyacetal) or light alloy
Piston seals PUR (polyurethane) and NBR (nitrile)
Front or rear mounting 2 screws (not supplied)



B

SPECIFICATIONS

Ø (mm)	stroke (mm)	cylinder with rotation-proof device		connec- tion Ø
		catalogue number	reference	
20	5	44100440	K 20 D 5L-M *	G1/8
	10	44100441	K 20 D 10L-M	
	15	44100442	K 20 D 15L-M	
	20	44100443	K 20 D 20L-M	
	25	44100444	K 20 D 25L-M	
	30	44100445	K 20 D 30L-M	
	40	44100446	K 20 D 40L-M	
25	5	44100448	K 25 D 5L-M *	G1/8
	10	44100449	K 25 D 10L-M	
	15	44100450	K 25 D 15L-M	
	20	44100451	K 25 D 20L-M	
	25	44100452	K 25 D 25L-M	
	30	44100453	K 25 D 30L-M	
	40	44100454	K 25 D 40L-M	
32	5	44100275	K 32 D 5L-M *	G1/8
	10	44100276	K 32 D 10L-M	
	15	44100277	K 32 D 15L-M	
	20	44100278	K 32 D 20L-M	
	25	44100279	K 32 D 25L-M	
	30	44100280	K 32 D 30L-M	
	40	44100281	K 32 D 40L-M	
	50	44100282	K 32 D 50L-M	
40	5	44100285	K 40 D 5L-M *	G1/8
	10	44100286	K 40 D 10L-M	
	15	44100287	K 40 D 15L-M	
	20	44100288	K 40 D 20L-M	
	25	44100289	K 40 D 25L-M	
	30	44100290	K 40 D 30L-M	
	40	44100291	K 40 D 40L-M	
	50	44100292	K 40 D 50L-M	
60	44100293	K 40 D 60L-M		
80	44100294	K 40 D 80L-M		
100	44100295	K 40 D 100L-M		

Ø (mm)	stroke (mm)	cylinder with rotation-proof device		connec- tion Ø
		catalogue number	reference	
50	10	44100296	K50 D 10L-M	G1/8
	15	44100297	K50 D 15L-M	
	20	44100298	K50 D 20L-M	
	25	44100299	K50 D 25L-M	
	30	44100300	K50 D 30L-M	
	40	44100301	K50 D 40L-M	
	50	44100302	K50 D 50L-M	
	60	44100303	K50 D 60L-M	
	80	44100304	K50 D 80L-M	
	100	44100305	K50 D 100L-M	
63	10	44100306	K63 D 10L-M	G1/8
	15	44100307	K63 D 15L-M	
	20	44100308	K63 D 20L-M	
	25	44100309	K63 D 25L-M	
	30	44100310	K63 D 30L-M	
	40	44100311	K63 D 40L-M	
	50	44100312	K63 D 50L-M	
	60	44100313	K63 D 60L-M	
	80	44100314	K63 D 80L-M	
	100	44100315	K63 D 100L-M	
80	10	44100316	K80 D 10L-M	G1/4
	15	44100317	K80 D 15L-M	
	20	44100318	K80 D 20L-M	
	25	44100319	K80 D 25L-M	
	30	44100320	K80 D 30L-M	
	40	44100321	K80 D 40L-M	
	50	44100322	K80 D 50L-M	
	60	44100323	K80 D 60L-M	
	80	44100324	K80 D 80L-M	
	100	44100325	K80 D 100L-M	
100	10	44100326	K100 D 10L-M	G1/4
	15	44100327	K100 D 15L-M	
	20	44100328	K100 D 20L-M	
	25	44100329	K100 D 25L-M	
	30	44100330	K100 D 30L-M	
	40	44100331	K100 D 40L-M	
	50	44100332	K100 D 50L-M	
	60	44100333	K100 D 60L-M	
	80	44100334	K100 D 80L-M	
	100	44100335	K100 D 100L-M	

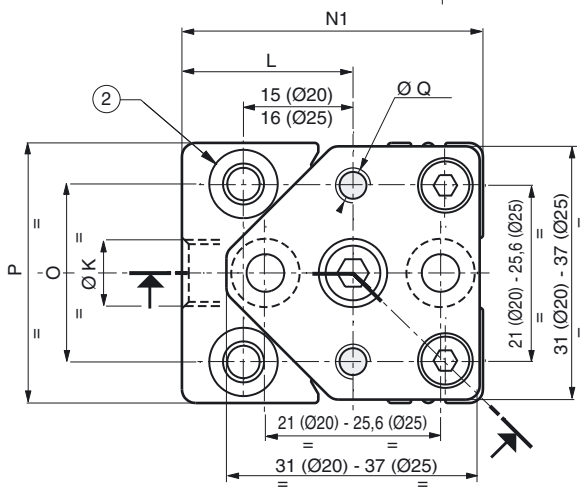
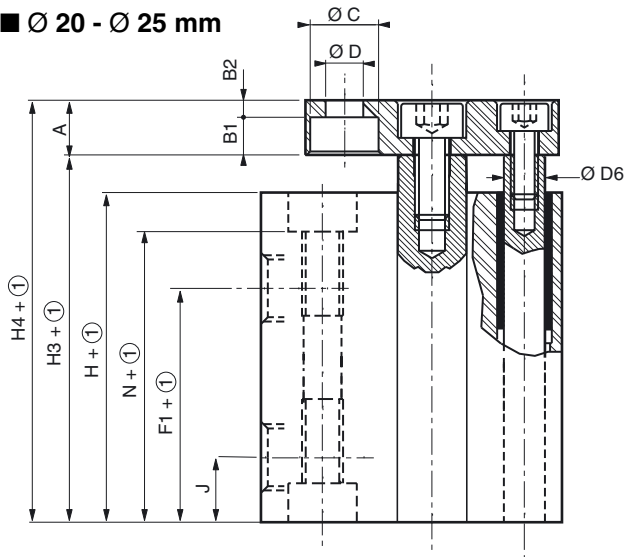
Magnetic detectors should be ordered separately :
 "T" model (see page P291), Reed switch or magneto-resistive type
 In order to prolong the product's service life, it is recommended
 to use external stoppers for both directions.

* reed switch type detector cannot be fitted on 5 mm strokes or less

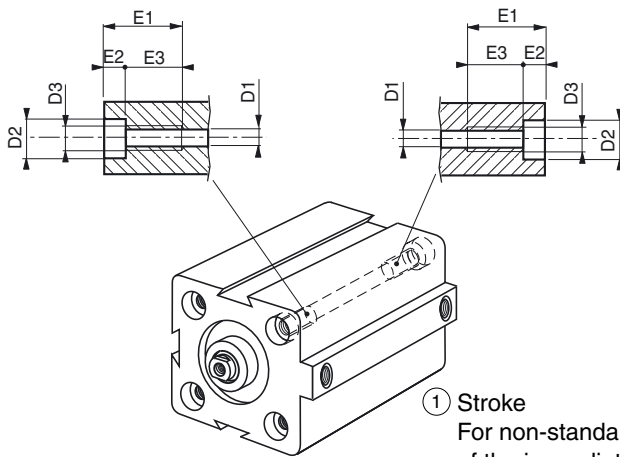
OPTIONS : Other strokes on request

DIMENSIONS (mm)

■ Ø 20 - Ø 25 mm



Mounting holes

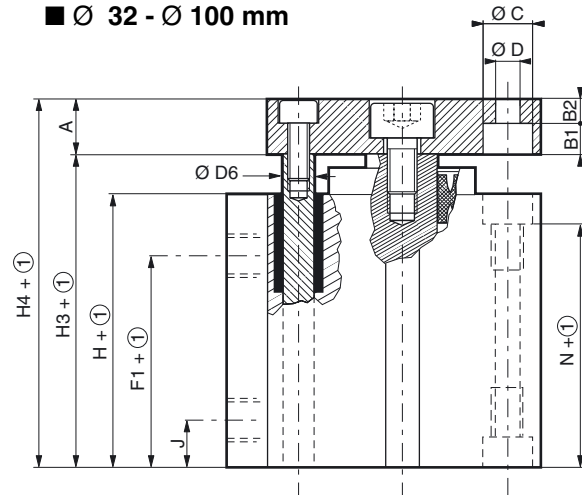


① Stroke

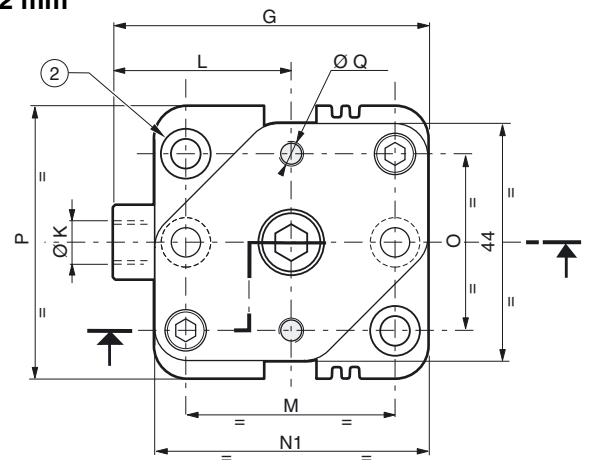
For non-standard strokes, add the value of the immediately higher standard stroke.

② See detail for holes and counterbores

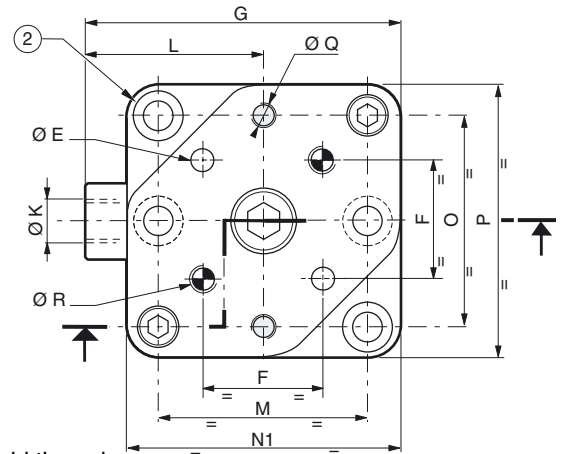
■ Ø 32 - Ø 100 mm



■ Ø 32 mm



■ Ø 40 - Ø 100 mm



Ø	A	B1	B2	Ø C	Ø D	Ø D ₁	Ø D ₂	Ø D ₃	Ø D ₆	Ø E	E ₁	E ₂	E ₃	F	F ₁	G	H	H ₃	H ₄	J	Ø K	L	M	N	N ₁	O	P	Ø Q	Ø R
20	8	4,5	3,5	8	4,5	5,5	10	M6	5	-	18	5,7	12,3	-	20	-	32	36,5	44,5	8	G1/8	24	-	26,3	40	20	32	M3	-
25	8	5,5	2,5	10	5,5	5,5	10	M6	6	-	18	5,7	12,3	-	24,5	-	38,5	44	52	9,5	G1/8	25	-	32,8	44	26	38	M5	-
32	10	5,7	4,3	10	5,5	5,5	10	M6	8	-	18	5,7	12,3	-	22	56	39,5	50,5	60,5	9,5	G1/8	32	36	33,8	48	32	45	M5	-
40	10	5,7	4,3	10	5,5	5,5	10	M6	8	5,1	18	5,7	12,3	23,3	25,5	65	39,5	52	62	11	G1/8	37,5	42	33,8	55	42	55	M5	M5
50	12	5,7	6,3	10	5,5	6,6	11	M8	8	6,1	20	6,8	13,2	29,7	25,5	75	39,5	53	65	11	G1/8	42,5	50	32,7	65	50	65	M5	M6
63	12	6,8	5,2	11	6,6	9	15	M10	10	6,1	25	9	16	35,4	27,3	87,5	42	57,5	69,5	11	G1/8	47,5	62	33	80	62	80	M6	M6
80	14	6,8	7,2	11	6,6	9	15	M10	10	8,1	25	9	16	46	29,3	110	46	64	78	12,5	G1/4	60	82	37	100	82	100	M6	M8
100	16	9	7	15	9	11	18	M12	10	10,1	30	11	19	56,6	36	134	56	76,5	92,5	12,5	G1/4	72	103	45	124	103	124	M8	M10