

Digimatic Indicators

SERIES 543 – ABSOLUTE Digimatic Multi-Function Indicator ID-F

- GO/NO-GO judgement function: If a judgement result shows an out of tolerance condition, the display backlighting changes from green to red.
- An analogue bar indicator has been integrated to make upper/lower limit and turnover point reading more comfortable.

MeasurLink ENABLED
Data Management Software by Mitutoyo

ABSOLUTE

Green indication for GO judgement Red indication for \pm NG judgement



- With the ABSOLUTE Linear Encoder technology, once the measurement reference point has been set it will not be lost when the power is turned off. Also, reliability has been increased due to the elimination of over-speed errors.
- Easy-to-read large back-lit LCD readout with a character height of 8.5 mm.
- External power supply type: battery change is not necessary. Power is supplied via the AC adapter supplied as a standard accessory.
- The resolution can be switched between 0.001/0.01 mm (or .001" / .0005" / .0001" / .0005").
- Equipped with a data output port that enables incorporation into measurement networking and statistical process control systems.



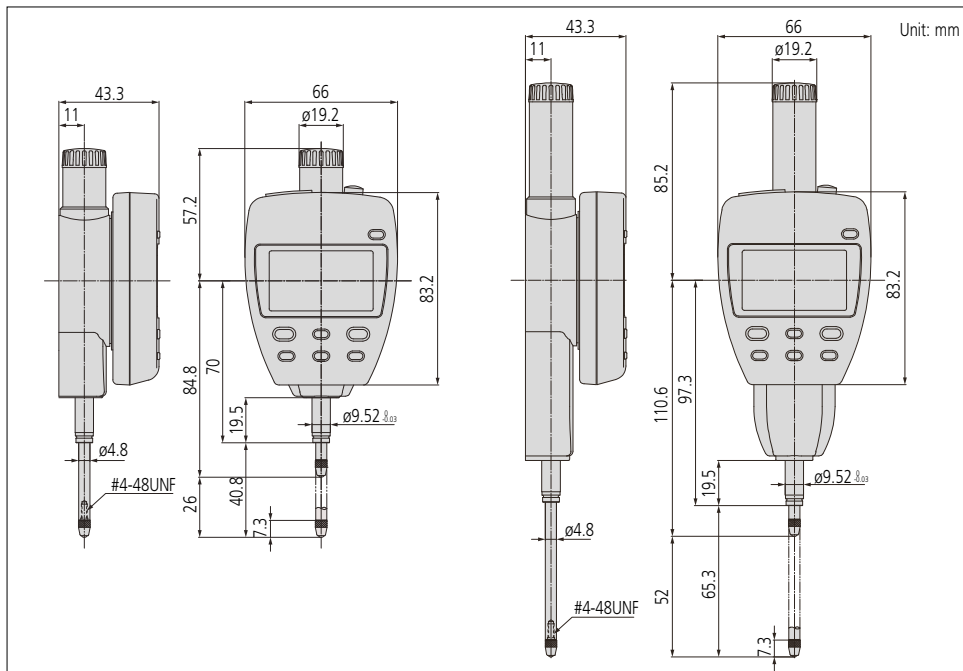
Specifications

Inch/Metric

Code No.	Range	Resolution	Accuracy*1	Measuring force
543-552E	1" / 25 mm	.00002", .00005", .0001", .0005"	.00012" / 0.003 mm	1.8 N or less
543-554E	2" / 50 mm	.001" / 0.001 mm, 0.01 mm	.00024" / 0.006 mm	2.3 N or less

*1 Quantizing error of ± 1 count is excluded.

Dimensions



Technical Data

Display: Back-lit LCD, 8.5 mm character height
 Scale type: ABSOLUTE electrostatic linear encoder
 Max. response speed: Unlimited
 Stem diameter: 3/8"
 Standard contact point: **21BZB005**
 Power supply: 9V DC (via AC adapter)
 Lifting lever: **137693**

Functions

Preset, zero-set, GO/ \pm NG judgement, max/min value hold, runout measurement, resolution switching, counting direction switching, power ON/OFF, data output, inch/mm reading.
 Alarm: Counting value composition error, overflow error, tolerance limit setting error

Optional Accessories

Code No.	Description
101306	Centre-lug back
540774	Plunger lifting cable (12.7 mm and 25.4 mm)
936937	SPC data cable (1 m)
965014	SPC data cable (2 m)
02ACA571	Auxiliary plunger spring (25.4 mm / 1" type)*2
02ACA773	Auxiliary plunger spring (50.8 mm / 2" type)*2
02AZD790D	U-WAVE-T data cable (160 mm)
02AZE140D	U-WAVE-T data cable with footswitch connection (160/500 mm)
21EZA197	Plunger lifting knob (25.4 mm / 1" type)
21EZA200	Plunger lifting knob (50.8 mm / 2" type)

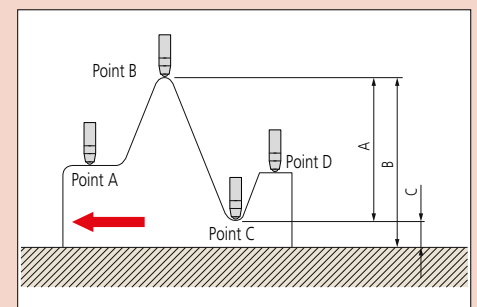
Contact points for Mitutoyo's dial indicators refer to pages F-37 to F-40 for details.

Interchangeable backs refer to page F-41 for details.

Measuring stands refer to pages F-67 to F-72 for details.

*2 Required to maintain the measuring force during inverted orientation (contact point upward).

Difference/runout measurement



Example: Indicator travel from points A to D
 Difference (or Total Runout) is displayed as A. Dimensions B (maximum value) and C (minimum value) can be recalled from memory with a simple pushbutton sequence.