

Digimatic Indicators

SERIES 543 – Digimatic High Accuracy/Functionality Indicator ID-H

- This new-generation digital indicator offers the excellent accuracy and functionality expected from the top class of indicator.
- Take advantage of its high accuracy backed up by $0.5 \mu\text{m} / .00002''$ resolution, remote control functionality via a handheld controller (or an RS-232C interface) and easy runout measurements with the well-established analogue bar display.
- Functionality meets the needs of diverse measurement applications.
- Measuring maximum value, minimum value and runout (difference between a maximum and a minimum value).
- GO/NO-GO judgement function: If a judgement result shows an out of tolerance condition the display backlighting changes from green to red.
- With the optional remote controller, operations such as zero-setting and presetting can be made without touching the indicator body, thereby avoiding disturbance to the set-up.
- An advanced, remote control system can be implemented with the built-in RS-232 interface and a PC.
- Equipped with a data output port that enables incorporation into measurement networking and statistical process control systems.

MeasurLink[®] ENABLED
Data Management Software by Mitutoyo



543-562E



543-564E

Specifications

Inch/Metric

Code No.	Range	Resolution	Accuracy*	Measuring force
543-562E	1.2" / 30.4 mm	.00002", .00005", .0001" / 0.0005 mm,	.00006" / 0.0015 mm	2.0 N or less
543-564E	2.4" / 60.9 mm	0.001 mm	.0001" / 0.0025 mm	2.5 N or less

* Quantizing error of ± 1 count is excluded.

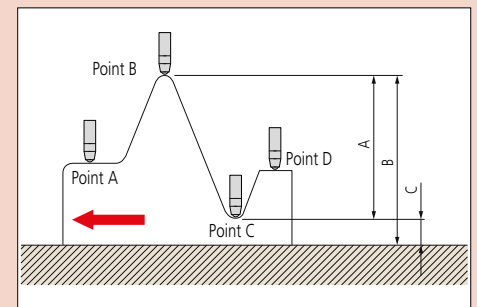
Technical Data

Display:	7-digit LCD, sign, and analogue bar with 2-colour backlight
Power supply:	6V DC (via AC adapter)
Positional detection method:	Photoelectric type reflection linear encoder
Max. response speed:	1000 mm/sec
Plunger direction:	Up to direction in which plunger is horizontal
Standard contact point:	21BZB005
Lifting lever:	137693

Functions

Zero set, preset, GO/ \pm NG judgement, max/min value hold, runout measurement, resolution switching, counting direction switching, data output, data hold, function lock, inch/mm reading (inch/mm models)
Alarm: Over speed error, setting error, overflow error

Difference/runout measurement



Example: Indicator travel from points A to D
Difference (or Total Runout) is displayed as A. Dimensions B (maximum value) and C (minimum value) can be recalled from memory with a simple pushbutton sequence.

Optional Accessories

Code No.	Description
101306	Centre-lug back
540774	Plunger lifting cable (stroke: 30 mm)
936937	SPC data cable (1 m)
965014	SPC data cable (2 m)
02AZD790D	U-WAVE-T data cable (160 mm)
02AZE140D	U-WAVE-T data cable with footswitch connection (160/500 mm)
06AFM380D	USB input tool direct USB-ITN-D (2 m)
21EAA131	Connecting cable for RS-232 (2 m)
21EZA099	Remote controller
21EZA101	Plunger lifting knob

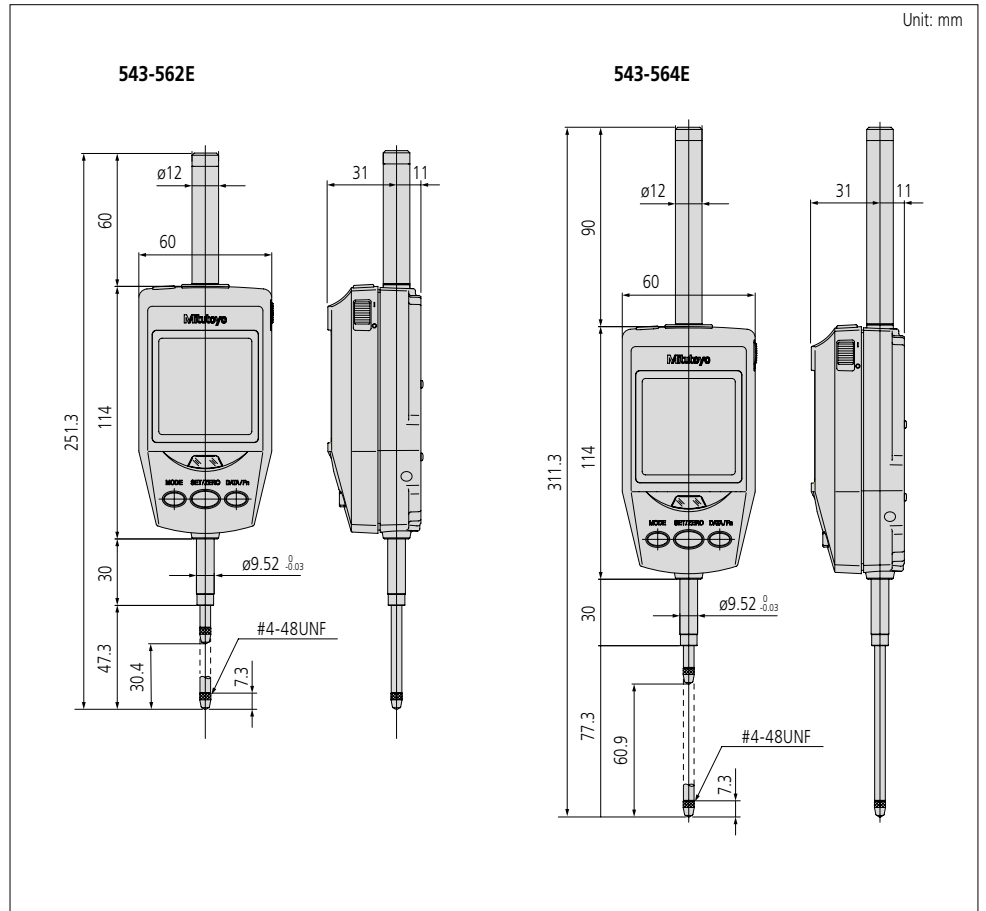
Contact points for Mitutoyo's dial indicators refer to pages F-37 to F-40 for details.

Measuring stands refer to pages F-67 to F-72 for details.



Remote controller (optional).

Dimensions



Tolerance judgement GO/+NG



Analogue bar display

Maximum value / minimum value measurement



Resolution switching

Difference / runout measurement

