

Technical Data

Accuracy:	Refer to Specifications
Resolution:	.0005" / 0.01 mm
Display:	LCD
Length standard:	ABSOLUTE electrostatic capacitance type linear encoder
Max. response speed:	Unlimited
Battery:	SR44 (1 pc.), 938882
Battery life:	Approx. 3.5 years under normal use
Functions:	Origin-set, zero-setting, power on/off, presetting, data hold, data output, inch/mm conversion (inch/mm models), measurement direction switching
Alarm:	Low voltage, measurement value composition error.

Dimensions

See page H-07

Optional Accessories

Code No.	Description
905338	SPC data cable (1 m, standard)
905409	SPC data cable (2 m, standard)
905689	SPC data cable (1 m, L-shape, back)
905690	SPC data cable (2 m, L-shape, back)
905691	SPC data cable (1 m, L-shape, right)
905692	SPC data cable (2 m, L-shape, right)
905693	SPC data cable (1 m, L-shape, left)
905694	SPC data cable (2 m, L-shape, left)

SERIES 572 – ABSOLUTE Digimatic Scales Multifunction Type

- Self-powered scales designed to capture positional coordinates from slides on machine tools and precision instruments; such as are incorporated in semiconductor production equipment, for example.
- The ORIGIN key allows setting of an absolute zero point to be used as reference in subsequent measurements. Once set, the ABS Digimatic Scale Unit is ready to show its true position whenever turned on rather than 0.00 as with standard models.
- The ZERO/ABS key allows the display to be zero-set at any slider position along the beam for incremental comparison measurements. This key also allows the return to absolute coordinates with a display of the true position from the origin point.
- No rack, no pinion, no glass scale. The Digimatic scale is safely embedded in the hardened stainless steel blade.
- All units come with two mounting brackets, each located at one end of the scale.
- With SPC data output.

ABSOLUTE

Horizontal type
572-470



Vertical type
572-571



Specifications

Code No.	Range	Accuracy*	L1	L2	Mass
Horizontal type					
572-470	0-4" / 0-100 mm	.001" / 0.03 mm	244 mm	220 mm	0.25 kg
572-471	0-6" / 0-150 mm		294 mm	270 mm	0.28 kg
572-472	0-8" / 0-200 mm		344 mm	320 mm	0.31 kg
572-473	0-12" / 0-300 mm	.002" / 0.04 mm	444 mm	420 mm	0.37 kg
572-474	0-18" / 0-450 mm		594 mm	570 mm	0.76 kg
572-475	0-24" / 0-600 mm		774 mm	750 mm	0.90 kg
572-476	0-32" / 0-800 mm	.0025" / 0.06 mm	974 mm	950 mm	1.71 kg
572-477	0-40" / 0-1000 mm	.0025" / 0.07 mm	1174 mm	1150 mm	2.04 kg
Vertical type					
572-570	0-4" / 0-100 mm	.001" / 0.03 mm	244 mm	220 mm	0.25 kg
572-571	0-6" / 0-150 mm		294 mm	270 mm	0.28 kg
572-572	0-8" / 0-200 mm		344 mm	320 mm	0.31 kg
572-573	0-12" / 0-300 mm	.002" / 0.04 mm	444 mm	420 mm	0.37 kg
572-574	0-18" / 0-450 mm		594 mm	570 mm	0.76 kg
572-575	0-24" / 0-600 mm		774 mm	750 mm	0.90 kg
572-576	0-32" / 0-800 mm	.0025" / 0.06 mm	974 mm	950 mm	1.71 kg
572-577	0-40" / 0-1000 mm	.0025" / 0.07 mm	1174 mm	1150 mm	2.04 kg

* Excluding quantizing error.

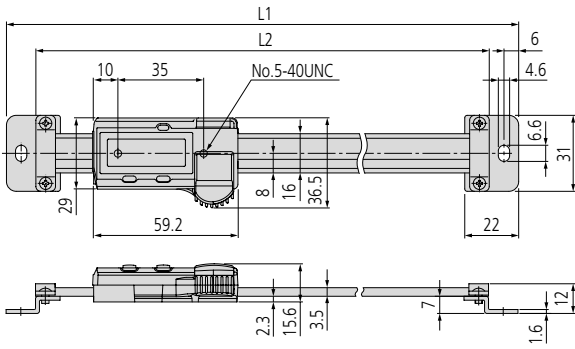
Integrated Scale Units

SERIES 572 – ABSOLUTE Digimatic Scales

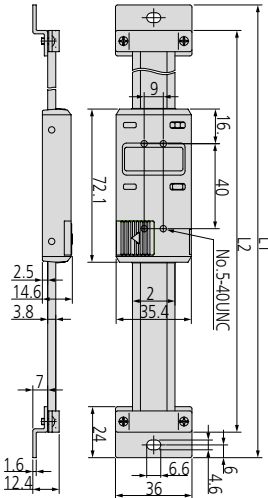
Dimensions

Unit: mm

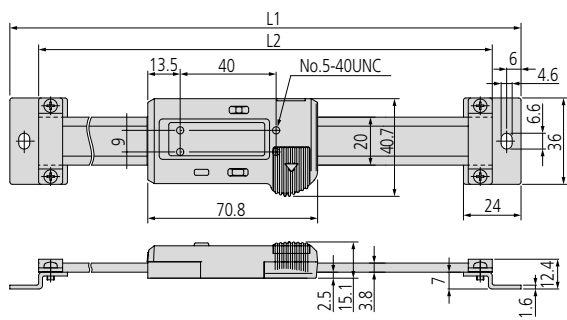
Single-function horizontal type, range: 100-200 mm.



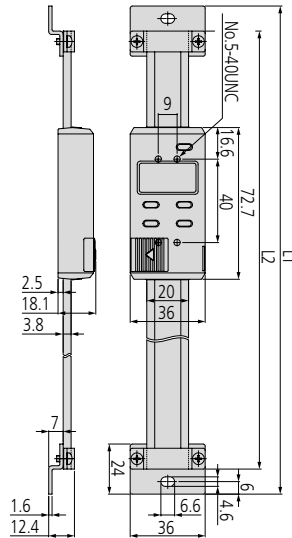
Single-function vertical type, range: 100-300 mm.



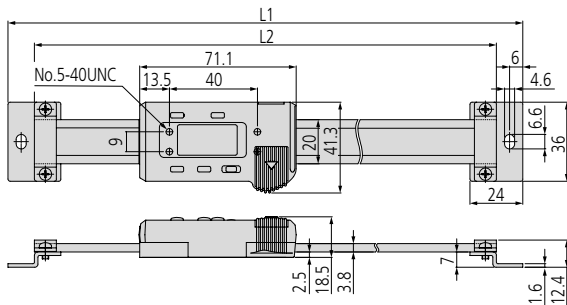
Single-function horizontal type, range: 300 mm.



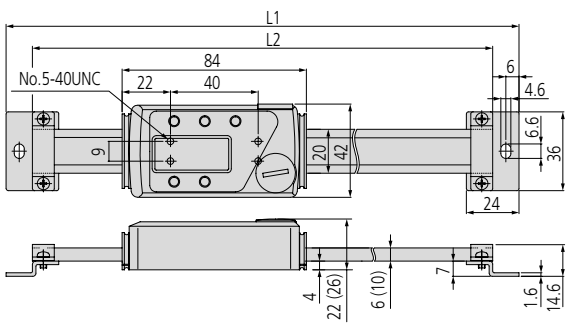
Multifunction vertical type, range: 100-300 mm.



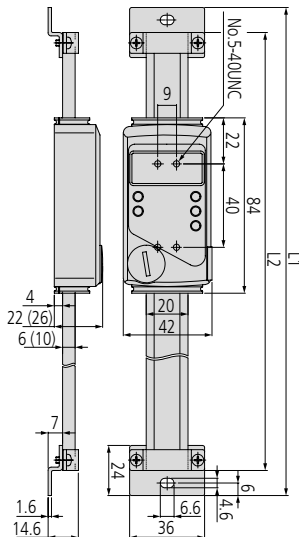
Multifunction horizontal type (range: 100-300 mm)



Multifunction horizontal type, range: 450-1000 mm.



Multifunction vertical type, range: 450-1000 mm.



() 0-800 mm/0-32" range and above only.