

Stands

SERIES 7 – Dial Gauge Stands

- Dial gauge stands are designed for comparison measurements of size using a dial indicator or Digimatic indicator.
- Vertical fine adjustment is available with one-touch control thanks to the parallel spring suspension.



7001-10

7002-10

7007-10

Specifications

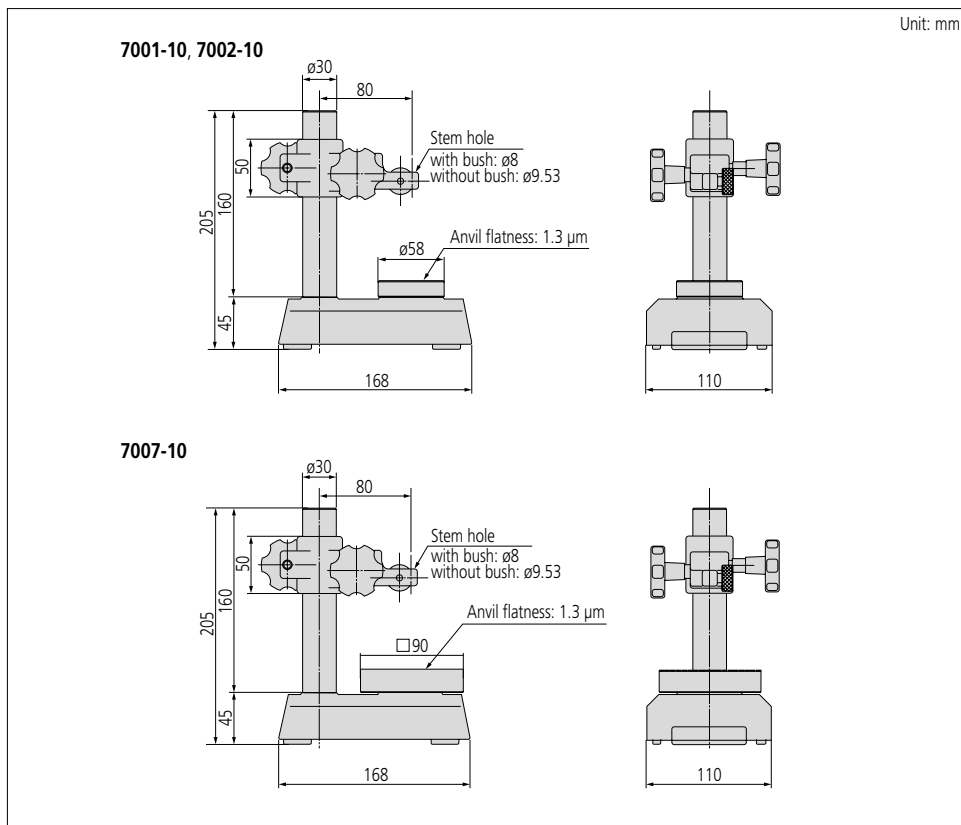
Metric

Code No.	Column travel	Acceptable stem sizes	Remarks
7001-10	0 - 95 mm	ø8 mm, ø9.53 mm	With ø58 mm serrated anvil
7002-10			With ø58 mm flat anvil
7007-10	0 - 90 mm		With 90 mm square anvil

Note: perpendicularity of the mounting hole to the anvil: less than 0.4 mm/100 mm.

Consult us when mounting Mitutoyo's linear gauge on this stand. We will check the operation of the stand and linear gauge before shipment (made-to-order).

Dimensions



Optional Accessories

Code No.	Description
101461	Hardened steel flat anvil
101462	Hardened steel serrated anvil
101463	Hardened steel domed anvil*

* Not available for 7007-10.

