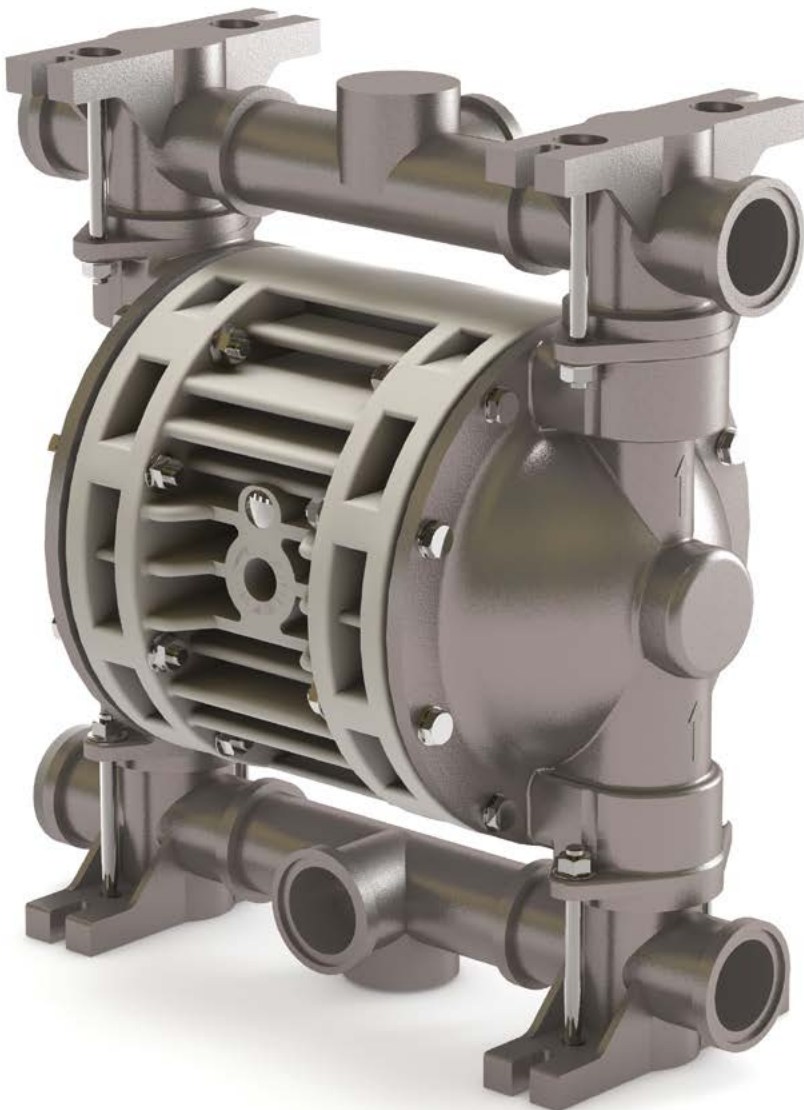



# FOODBOXER 150

MADE IN ITALY



- **Product of Italian origin**
- **Patented** stall protection pneumatic circuit
- Works with **non**-lubricated air
- **Self priming**
- Possibility of adjusting the pumping speed
- Versatility of use
- Idles without damage
- Electropolished 316 steel pumps
- Ideal for the food, cosmetics and beverage industries
- Materials in compliance with FDA regulations
- Parts in contact with fluid:  
Electropolished AISI 316 and FDA PTFE
- Atex Zone 1 (*on request*) - Atex zone 2 standard
- Possible fittings: CLAMP/DIN/GAS (*NPT upon request*)
- Suitable for pumping high viscosity fluids
- Continuous operation: YES
- Warranty: 1 year - according to our general conditions of sale
- Spare parts: to identify the spare parts check the exploded views provided at the end of the operation and maintenance manual



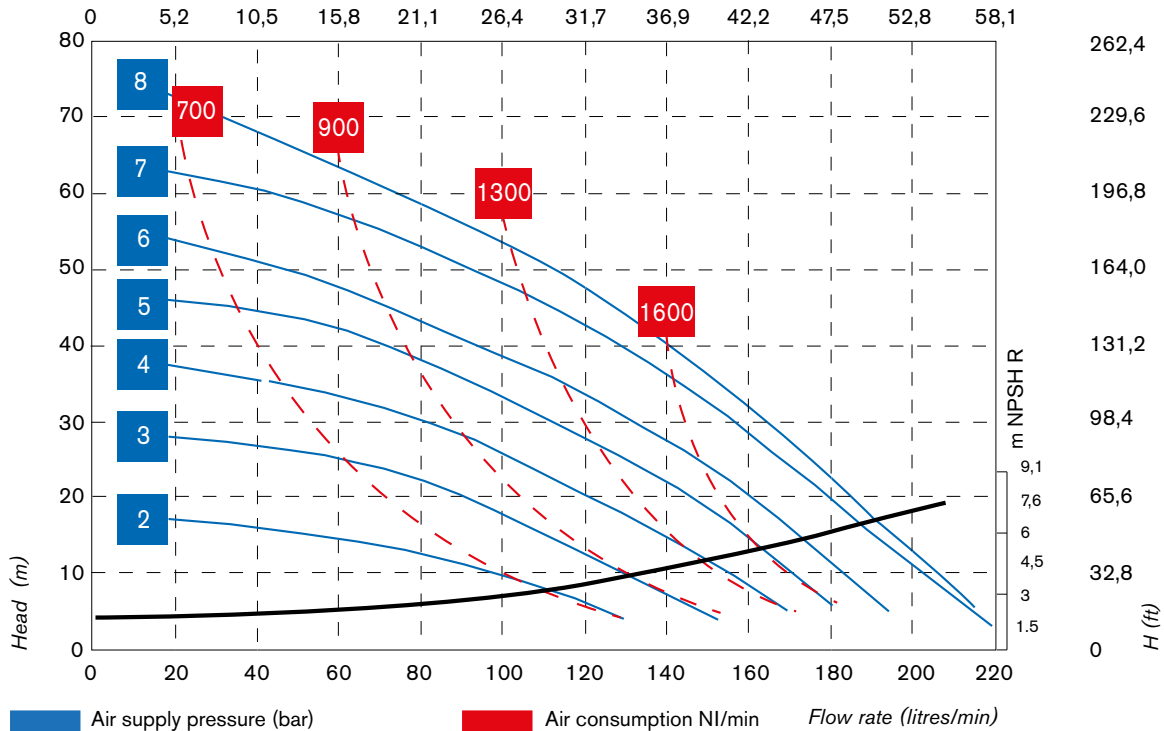
 **STANDARD:** II 3/3 GD c IIB T135°C (zone 2)  
**CONDUCT:** II 2/2 GD c IIB T135°C (zone 1)

**Intake/delivery connections:**  
CLAMP / DIN / GAS 1" 1/4 f (\*) - flow rate 220 l/min  
**Construction materials** AISI 316 electro-polished  
(\*) NPT connections on request



**Ex** STANDARD: II 3/3 GD c IIB T135°C (zone 2)  
CONDUCT: II 2/2 GD c IIB T135°C (zone 1)

U.S. g.p.m.



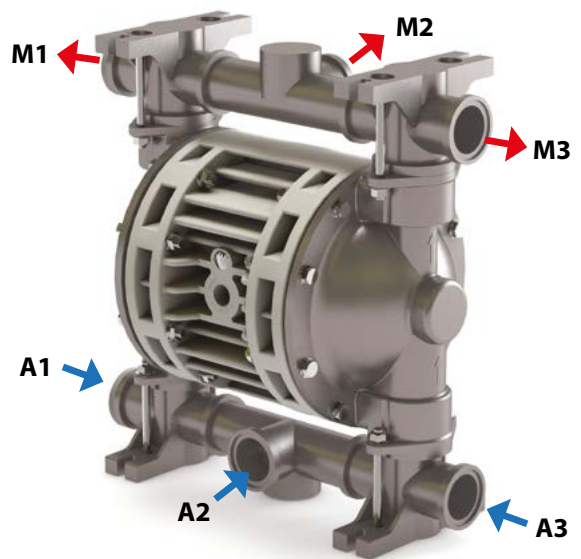
\* The curves and performance values refer to pumps with submerged suction and a free delivery outlet with water at 20°C, and vary according to the construction material. \*\* Attention: the average values of the various configurations of materials by ball and ball seats. \*\*\* The value depends on the configuration of the pump.

Guaranteed head/flow rate according to ISO 9906

<b>Intake/delivery connections</b>	CLAMP / DIN / G 1" 1/4 f (*)
<b>Air connection</b>	G 1/2" f
<b>Max. flow rate*</b>	220 l/min
<b>Max. air supply pressure</b>	8 bar
<b>Max. head*</b>	80 m
<b>Max. self-priming capacity**</b>	4 m
<b>Max. stored neg. suction</b>	9,5
<b>Max. diameter of passing solids</b>	5 mm
<b>Noise***</b>	75 dB
<b>Displacement per cycle</b>	340 cc
<b>Max. viscosity</b>	40.000 cps

(\*) NPT connections on request

<b>Construction materials and net weight</b>	AISI 316	21 Kg	Temp.	3°C min.	95°C max.
--	----------	-------	-------	----------	-----------



FOODBOXER150: A1-A2-A3-M1-M2-M3

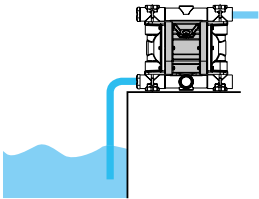
**Ex** STANDARD: II 3/3 GD c IIB T135°C (zone 2)  
CONDUCT: II 2/2 GD c IIB T135°C (zone 1)

## AVAILABLE MATERIALS

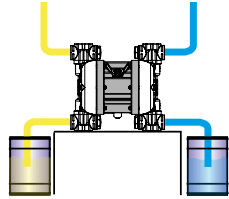


## INSTALLATION

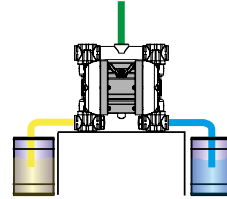
SELF PRIMING



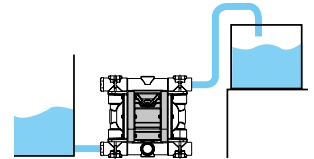
TWIN SUCTION AND DELIVERY MANIFOLD



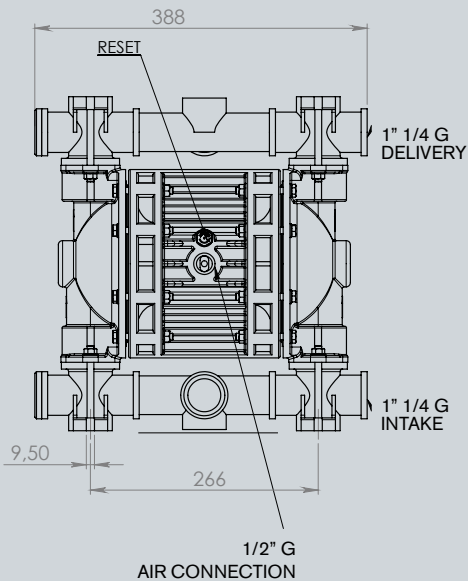
TWIN SUCTION MANIFOLD



POSITIVE SUCTION HEAD

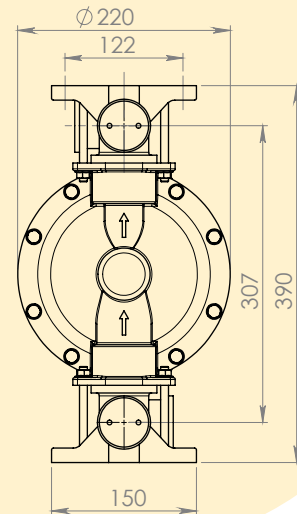


**FB150**  
AISI 316



**FB150**  
AISI 316

(Dimensions in mm)



**Packing:** cardboard box - 29 x 47 x 46 cm-weight 1.4 Kg  
(the weight only refers to the packaging without the pump in it).

**Ex** STANDARD: II 3/3 GD c IIB T135°C (zone 2)  
CONDUCT: II 2/2 GD c IIB T135°C (zone 1)

## FOODBOXER COMPOSITION CODE

ex. **FB150-A-HTAAT--**

Foodboxer 150, body AISI 316, air side diaphragm Hytrel, fluid side diaphragm PTFE, balls AISI 316, ball seats AISI 316, O-Ring in PTFE

FB150 -	A -	H	T	A	A	T	-	-
INTERNAL EXCHANGER	PUMP BODY	AIR SIDE DIAPHRAGM	FLUID SIDE DIAPHRAGM	SFERE	SEDI SFERE	O-RING	COLLETTORE SDOPPIATO	CONDUCT VERSION
FB150 - Foodboxer 150	A - AISI 316	H - Hytrel	T - PTFE*	A - AISI 316 T - PTFE	A - AISI 316	T - PTFE	X	C

\*) Cover diaphragms (only on Hytrel diaphragms) cannot be fitted individually.

## PRODUCT APPLICATION

