

Holtest

SERIES 468 – Digimatic Holtest Three-Point Bore Micrometer

- Three-point bore micrometer with large LCD readout (character height 7.5 mm).
- Titanium-coated measuring pins provide excellent durability and impact resistance and allow the instrument to measure right to the bottom of a blind hole.
- One SR44 battery is required and battery life is approx. 1.2 years under normal use.
- ABSolute and INCremental measurement modes allow highly efficient operation.
- The IP65 protection rating allows the instrument to be used in the presence of splashing coolant.
- Deep holes can be measured by attaching an extension rod (optional).
- A function lock prevents accidental change of reference point.
- Measurement data output enables operation with Statistical Process Control (SPC) and measurement control systems.
- An interface input tool is available for transferring measurement data, under keyboard control, directly to commercial spreadsheet software.
- Interchangeable-head sets (interchangeable measuring heads type) covering an extended measuring range using multiple heads and non-interchangeable-head sets are available.
- Optional setting rings are available for setting the instrument accurately before measurement (see pages C-37 to C-38).

C

MeasurLink ENABLED
Data Management Software by Mitutoyo

IP 65

TÜV Rheinland
CERTIFIED
www.tuv.com
ID 0000021605

PROPRIETARY INSPECTION CERTIFICATE



Technical Data

Display: LCD
Dust/water protection level: IP65 (IEC60529)*
Battery: SR44 (1 pc), **938882**
* Rustproofing treatment to be applied after use.

Functions

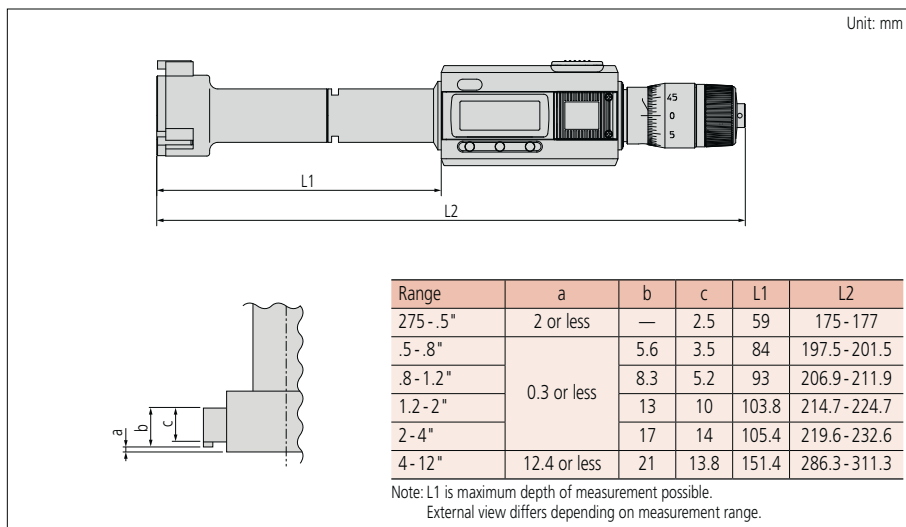
Zero-setting
Origin restoration
Data hold
2-point preset
Function lock
inch/mm readout
Automatic power ON/OFF
Error alarm
Data output



Data hold.



Dimensions



Optional Accessories

Code No.	Description	
02AZD790B	U-WAVE-T data cable with pushbutton (160 mm)	
02AZE140B	U-WAVE-T data cable with pushbutton and footswitch connection (160/500 mm)	
04AZB157	Mounting bracket	
05CZA662	SPC data cable with pushbutton (1 m)	
05CZA663	SPC data cable with pushbutton (2 m)	
06AFM380B	USB Input Tool Direct USB-ITN-B (2 m)	
Extension rods (refer to Specifications table)		
952322	100 mm	
952621	150 mm	
952622	150 mm	
952623	150 mm	



Mounting bracket **04AZB157** (optional accessory).



Shown on stand using mounting bracket.

Specifications

Inch/Metric					
Code No.	Range	Resolution	Accuracy*	Extension rod (optional accessory)	
468-261	.275 - .35" (6.985 - 8.89 mm)	.00005" (0.001 mm)	±2 μm (range 2 μm) / ±.0001" (range .0001")	952322	
468-262	.35 - .425" (8.89 - 10.795 mm)				
468-263	.425 - .5" (10.795 - 12.7 mm)				
468-264	.5 - .65" (12.7 - 16.51 mm)				
468-265	.65 - .8" (16.51 - 20.32 mm)				
468-266	.8 - 1" (20.32 - 25.4 mm)				
468-267	1 - 1.2" (25.4 - 30.48 mm)		±3 μm (range 3 μm) / ±.00015" (range .00015")	952622	
468-268	1.2 - 1.6" (30.48 - 40.64 mm)				
468-269	1.6 - 2" (40.64 - 50.8 mm)				
468-270	2 - 2.5" (50.8 - 63.5 mm)				
468-271	2.5 - 3" (63.5 - 76.2 mm)				
468-272	3 - 3.5" (76.2 - 88.9 mm)				
468-273	3.5 - 4" (88.9 - 101.6 mm)		.0001" (0.001 mm)	±5 μm (range 5 μm) / ±.00025" (range .00025")	952623
468-274	4 - 5" (101.6 - 127 mm)				
468-275	5 - 6" (127 - 152.4 mm)				
468-276	6 - 7" (152.4 - 177.8 mm)				
468-277	7 - 8" (177.8 - 203.2 mm)				
468-278	8 - 9" (203.2 - 228.6 mm)				
468-279	9 - 10" (228.6 - 254 mm)				
468-280	10 - 11" (254 - 279.4 mm)				
468-281	11 - 12" (279.4 - 304.8 mm)				

* Excluding quantizing error. Accuracy specifications apply to the whole length of the measuring pins, and are given both in terms of the limits of deviation of a measurement and the total width of the deviation range (in parentheses).

Note: It is not advisable to use measuring heads other than those supplied as standard accessories, or attempt to widen a measuring range by using any other heads. (The measuring accuracy in such cases is not guaranteed.)



Interchangeable-head sets (interchangeable measuring heads type).



Non-interchangeable-head sets.