



DATA SHEET

HST

Hygrostat



Measuring range
from 5 to 95% HR



Measuring range from 0 to 50 °C⁽¹⁾
or from -20 to +80 °C⁽²⁾

Features

- RCR relay output 3A/240 Vac (NC), power supply 24 Vac/Vdc
- Visual and audible alarm configurable on one or two parameters, red led in front
- ABS V0 IP65 housing⁽²⁾ or IP20⁽¹⁾
- Alternating display of humidity and temperature
- "¼ turn" system mounting with wall-mount plate
- Housing with simplified mounting system

Measured parameters

Parameters	Accuracies ⁽³⁾	Measuring ranges	Resolution
Temperature	Ambient model: ±0.4% of reading ±0.3 °C Duct and remote models: ±0.3 °C (from -40°C to 70°C); ±0.5 °C beyond	Ambient model: from 0 to 50 °C Duct and remote models: from -20 to +80 °C	0.1 °C
Hygrometry ⁽⁴⁾	Duct and remote models: ±1.5% RH (if 15 °C ≤ T ≤ 25 °C) Ambient model: ±2% RH (if 15 °C ≤ T ≤ 25 °C)	From 5 to 95% RH	0.1% RH

Part number



Probe
S: Ambient
A: Duct
D: Remote

Probe cable length (remote models only)
(): cable length 2 m
05M: cable length 5 m
10M: cable length 10 m

Example: HST – A
Hygrostat HST with duct probe

Technical specifications

Output	1 RCR relay. NO (normally opened): 5 A/NC (normally closed): 3 A/240 Vac. Common mode voltage < 30 Vac
Power supply	24 Vac/Vdc ±10%
Consumption	3 VA
Relay and alarm status	Red led in front and internal buzzer (70 dB at 10 cm)
European directives	2014/30/EU EMC; 2014/35/EU Low Voltage; 2011/65/EU RoHS II; 2012/19/EU WEEE
Electrical connection	Terminal block for cables Ø 0.05 to 2.5 mm ² . Carried out according to the code of good practice
PC Communication	USB-mini Din cable
Environment	Air and neutral gases

⁽¹⁾ Ambient model / ⁽²⁾ Duct or remote model

⁽³⁾ All the accuracies indicated in this technical datasheet were stated in laboratory conditions, and can be guaranteed for measurements carried out in the same conditions, or carried out with calibration compensation.

⁽⁴⁾ Drift linked to temperature: ±0.04 x (T-20) %RH (if T < 15 °C or T > 25 °C)

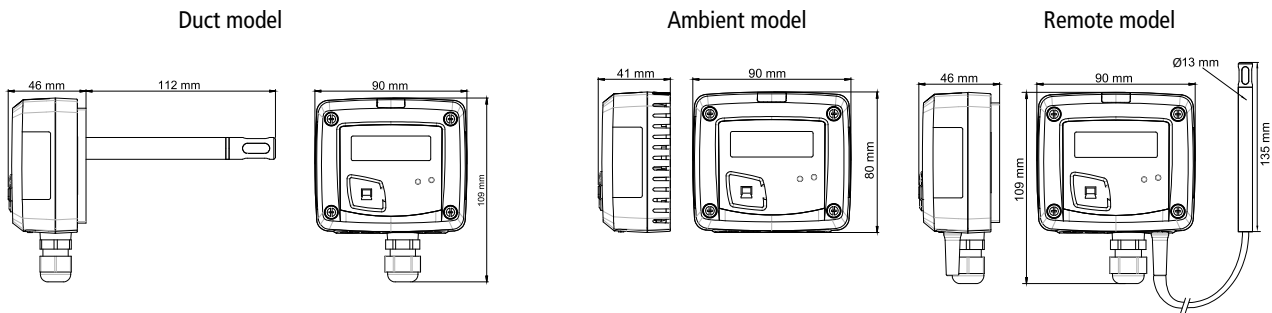
General features

Unit of measurement	°C, °F, % HR
Type of sensor	Temperature: NTC Hygrometry: capacitive
Response time	Temperature: 1/e (63%) 15 s Hygrometry: 1/e (63%) 4 s
Type of fluid	Air and neutral gases
Conditions for use (°C/%HR/m)	From 0 to +50 °C. In non-condensing condition. From 0 to 2000 m.
Operating temperature of the probe	From -20 to +80 °C
Storage temperature	From -10 to +70 °C

Features of the housing

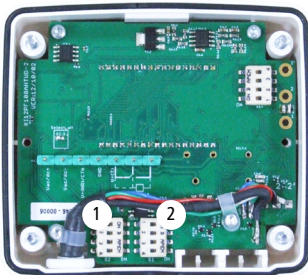
Material	ABS V0 as per UL94
Protection	IP20
Display	LCD 10 digits. Size: 50 x 17 mm Alternating display of humidity and temperature Height of digits: Values: 10 mm. Units: 5 mm
Weight	138 g

Dimensions



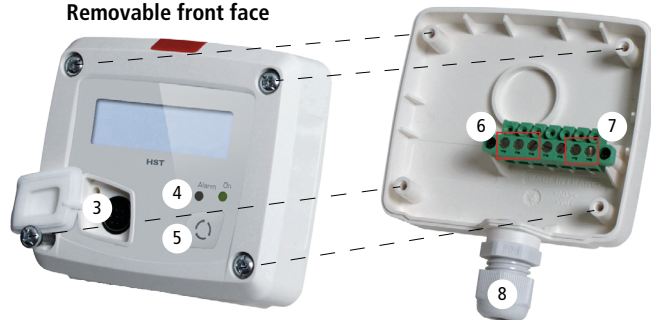
Connections

Inside the front housing



1. Inactive switch
2. Active switch (S1)
3. LCC-S software connection
4. Alarm Led

Removable front face



5. Button for settings
6. Relay terminal block
7. Power supply terminal block
8. Cable gland

Fixed back housing



Symbols used

For your safety and in order to avoid any damage of the device, please follow the procedure described in this document and read carefully the notes preceded by the following symbol:



The following symbol will also be used in this document, please read carefully the information notes indicated after this symbol:

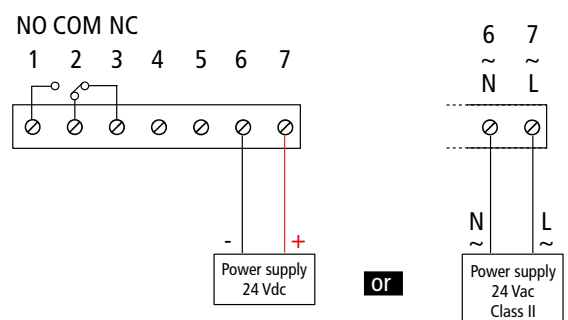


Electrical connectios as per NFC15-100 standard



This connection must be made by a qualified technician. To make the connection, the transmitter must not be energized.

NO: normally opened
COM: common
NC: normally closed



Or

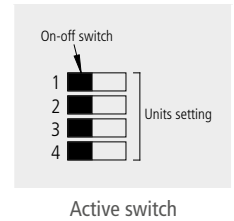
Settings and use of the transmitter

- Configuration**

It is possible to set the unit of the transmitter either by switch and/or via software.



To configure the transmitter, it must not be energized. Then, you can make the settings required, with the DIP switches (as shown on the drawing below). When the transmitter is configured, you can power it up.



Configuration by switch: to configure the transmitter, unscrew the 4 screws from the housing then open it.




Please follow carefully the combinations beside with the DIP switch. If the combination is wrongly done, the following message will appear on the display of the transmitter "CONF ERROR". In that case, you will have to unplug the transmitter, place the DIP switches correctly, and then power the transmitter up.

- Units setting – active switch**

To set a unit of measurement, put the on-off switch 4 of the units as shown beside.

- Threshold configuration**

The  button allows to activate or not an alarm (threshold), to set the action of the alarm (edge), to set the threshold(s) value, to set the time-delay and to acknowledge the alarm.

Configurations	°C	°F
Combinations	1	1
	2	2
	3	3
	4	4

Working principle:

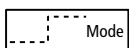
- By pressing the button more than 3 seconds, you can validate the setting and go to the next setting.
- By pressing quickly the button, you can increment a value and scroll down the different option or values.

- Activate or deactivate an alarm**

- Press the button for 3 seconds, "CONF" is displayed then "NEG", meaning that the relay is in negative security, it is excited during an alarm condition.
- If needed, press quickly the button to switch the relay in positive security, the relay is de-energized during an alarm condition or a current breaking, "POS" is displayed.
- Press 3 s the button, "Buzz" screen is displayed with "ON" or "OFF" blinking. Briefly press on the button to activate ("ON") or deactivate ("OFF") (according to the last saved configuration) the buzzer during an alarm condition.
- Press 3 s the button, "Alarm" screen is displayed with "On" or "Off" blinking (according to the last saved configuration).
- Press quickly the button, the display changes from "On" (activated alarm) to "Off" (deactivated alarm).
- Press 3 seconds the button to confirm the setting. If the alarm is deactivated, the instrument displays the measurement ; if the alarm is activated, the instrument displays the following setting.

- Set the action of the alarm (rising edge or falling edge)**

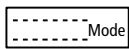
The edge determines the action of the alarm according to the trespassing direction of the threshold(s).



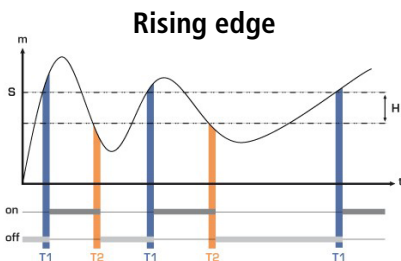
Rising edge (1 threshold): the alarm goes off when the measurement exceeds the threshold and stops when it is below the threshold.



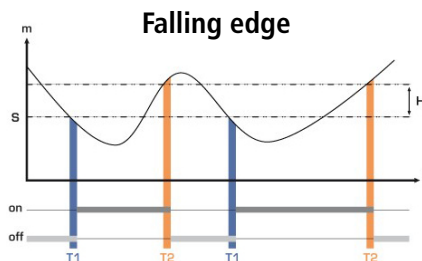
Falling edge (1 threshold): the alarm goes off when the measurement is below the threshold and stops when it exceeds the threshold.



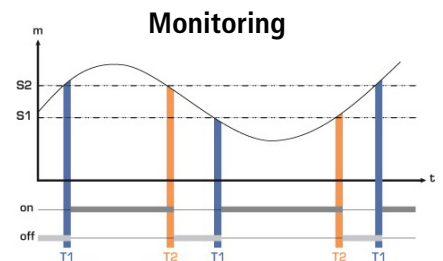
Monitoring (2 thresholds): the alarm goes off when the measurement is outside the defined low and high thresholds.



Measurement (m) > Threshold (S) during the time-delay T1: Alarm activation.
Measurement (m) < Threshold (S) - Hysteresis (H) during the time-delay T2: Alarm deactivation.



Measurement (m) < Threshold (S) during the time-delay T1: Alarm activation.
Measurement (m) > Threshold (S) + Hysteresis (H) during time-delay T2: Alarm deactivation.



The alarm goes off when the measurement is outside the low and high thresholds.

- Press briefly the button to select the trespassing direction then press the button more than 3 seconds to validate this direction and set the thresholds.

- Set the threshold(s) value**

The first digit blinks, it corresponds to the positive (0) or negative (-) setting of the threshold value. Press briefly on the button to select the sign for the threshold value. Press on the button more than 3 seconds to validate.

The second digit blinks, press briefly on the button to scroll the numbers. Press the button more than 3 seconds to validate.

Repeat the process until the last digit to configure the threshold value, validate the threshold and go to the following setting.

If the monitoring edge has been selected, the transmitter displays the setting of the second threshold.

- **Set the hysteresis**

The hysteresis is only for the rising edge and the falling edge modes. In rising edge mode, the hysteresis allows to the transmitter to stay in alarm when the measurement is between the threshold and the threshold minus the hysteresis.

Ex: for a 50% RH threshold and a 10% RH hysteresis, the instrument will stay in alarm when the measurement will be between 50 and 40% RH.

In falling edge mode, the hysteresis allows to the transmitter to stay in alarm when the measurement is between the threshold and the threshold plus the hysteresis.

Ex: for a 100% RH threshold and a 10% RH hysteresis, the instrument will stay in alarm when the measurement will be between 100 and 110% RH.

The first digit blinks, set it pressing the button briefly several times then press on the button more than 3 seconds to set the following digit..

Once the hysteresis is set, press the button more than 3 seconds to validate and set the time-delays.

- **Set the time-delay 1 and the time-delay 2 (600 seconds maximum)**

- In rising edge mode, the time-delay 1 corresponds to the time lag before the alarm goes off when the threshold has been reached. The time-delay 2, corresponds to the time lag before the alarm stops when the measurement is lower than the threshold minus the hysteresis.

Setting procedure: "Time 1" for the time-delay 1 is displayed then the time in second. The first digit blinks, press briefly on the button and scroll the figures. Press on the button more than 3 seconds to validate. Repeat the process until the last digit to set the time-delay 1 value (from 0 to 600 s) and validate. "Time 2" is displayed the time in second. Repeat the process to set the time-delay 2.

- In falling edge mode, the time-delay 1 corresponds to the time lag before the alarm goes off when the threshold has been reached. The time-delay 2, corresponds to the time lag before the alarm stops when the measurement is lower than the threshold plus the hysteresis. The setting procedure is the same as the rising edge procedure.

- In monitoring mode, the alarm of the transmitter goes off when the measurement is below the lower threshold and higher the high threshold. The time-delay 1 corresponds to the time lag before the alarm goes off when the measurement is below the lower threshold and higher the high threshold. The time-delay 2 corresponds to the time lag before the alarm stops when the measurement is between the lower and higher thresholds. The setting procedure is the same as the rising edge procedure.

Configuration via LCC-S software (option)

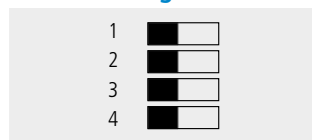
An easy and friendly configuration with the software!
It is possible to configure intermediate ranges.

To access the configuration via software:

Set the DIP switches as shown beside. Connect the cable of the LCC-S to the connection of the transmitter.

⚠ The configuration of the parameters can be done either with the DIP switch or via software (you can not combine both solutions). Switch off the sensor before settings process.

PC configuration



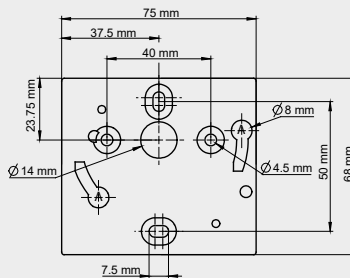
S1 active switch

Please refer to the optional LCC-S software to make the configuration.

Mounting

To install the transmitter, mount the ABS plate on the wall (drilling: Ø 6 mm, screws and pins are supplied). Insert the transmitter on the fixing plate (see A on the drawing beside). Rotate the housing in clockwise direction until you hear a "click" which confirms that the transmitter is correctly installed.

⚠ The mounting plate is not available for ambient models. 4 fixing holes inside the back housing can be used to install the transmitter on the required location.



Maintenance: please avoid any aggressive solvent. Please protect the transmitter and its probes from any cleaning product containing formalin, that may be used for cleaning rooms or ducts.

Precautions for use: please always use the device in accordance with its intended use and within parameters described in the technical features in order not to compromise the protection ensured by the device.

Accessories

Part number	Description
KIAL-100A	Power supply class 2, 230 Vac input, 24 Vac output
LCC-S	Configuration software with USB cable
-	Stainless steel sliding fittings
-	PC cable gland
-	ABS connection with connection gland
-	Stainless steel connections
-	Wall-mount plate for humidity remote probe

i Only the accessories supplied with the device must be used.