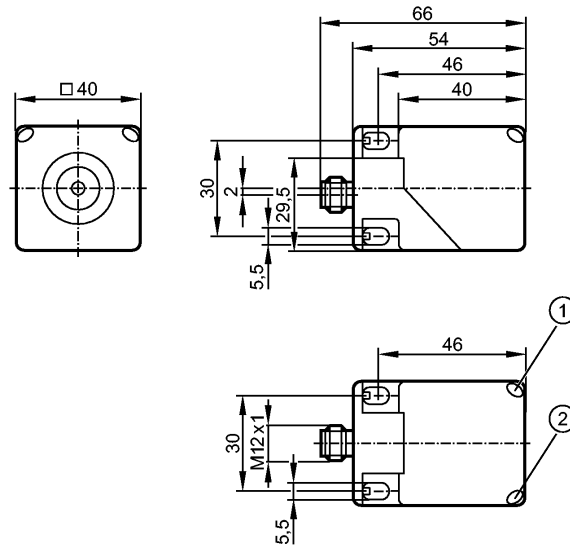


IM5132

IMC4020BCPKG/K1/US-100-DPA

Inductive sensors



- 1: LED yellow
- 2: LED green

Made in Germany



Product characteristics

Inductive sensor
Rectangular, plastics
Connector
Correction factor = 1
5 positions of the sensing face selectable
Sensing range 20 mm; [f] flush mountable

Electrical data

Electrical design	DC PNP
Operating voltage [V]	10...36 DC *)
Current consumption [mA]	< 20
Protection class	II
Reverse polarity protection	yes

Outputs

Output function	complementary
Voltage drop [V]	< 2.5
Leakage current [mA]	< 0.1
Current rating [mA]	200
Short-circuit protection	pulsed
Overload protection	yes
Switching frequency [Hz]	200

Range

Sensing range [mm]	20
Real sensing range (Sr) [mm]	20 ± 10 %
Operating distance [mm]	0...16.2

Accuracy / deviations

Correction factors	mild steel = 1 / stainless steel approx. 1 / brass approx. 1 / aluminium approx. 1 / copper approx. 1
Hysteresis [% of Sr]	1...20

IM5132

IMC4020BCPKG/K1/US-100-DPA

Inductive sensors

Switch-point drift	[% of Sr]	-10...10
--------------------	-----------	----------

Environment

Ambient temperature	[°C]	-25...70
Protection		IP 67

Tests / approvals

EMC	EN 61000-4-2 ESD:	8 kV CD / 6 kV AD
	EN 61000-4-3 HF radiated:	10 V/m (80...1000 MHz)
	EN 61000-4-4 Burst:	2 kV
	EN 61000-4-5 Surge:	0.5 kV (line to line, Ri: 20hm)
	EN 61000-4-6 HF conducted:	10 V (0.15...80 MHz)
	EN 55011:	class B

MTTF	[Years]	975
------	---------	-----

Mechanical data

Mounting		flush mountable
Housing materials		housing: PA (polyamide); connector thread: high-grade stainless steel
Weight	[kg]	0.142

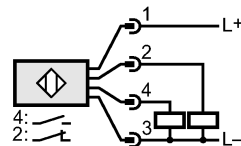
Displays / operating elements

Output status indication	LED	yellow
Operation	LED	green

Electrical connection

Connection		M12 connector; rotatable, locking
------------	--	-----------------------------------

Wiring



Remarks

Remarks		*) cULus - Class 2 source required
Pack quantity	[piece]	1