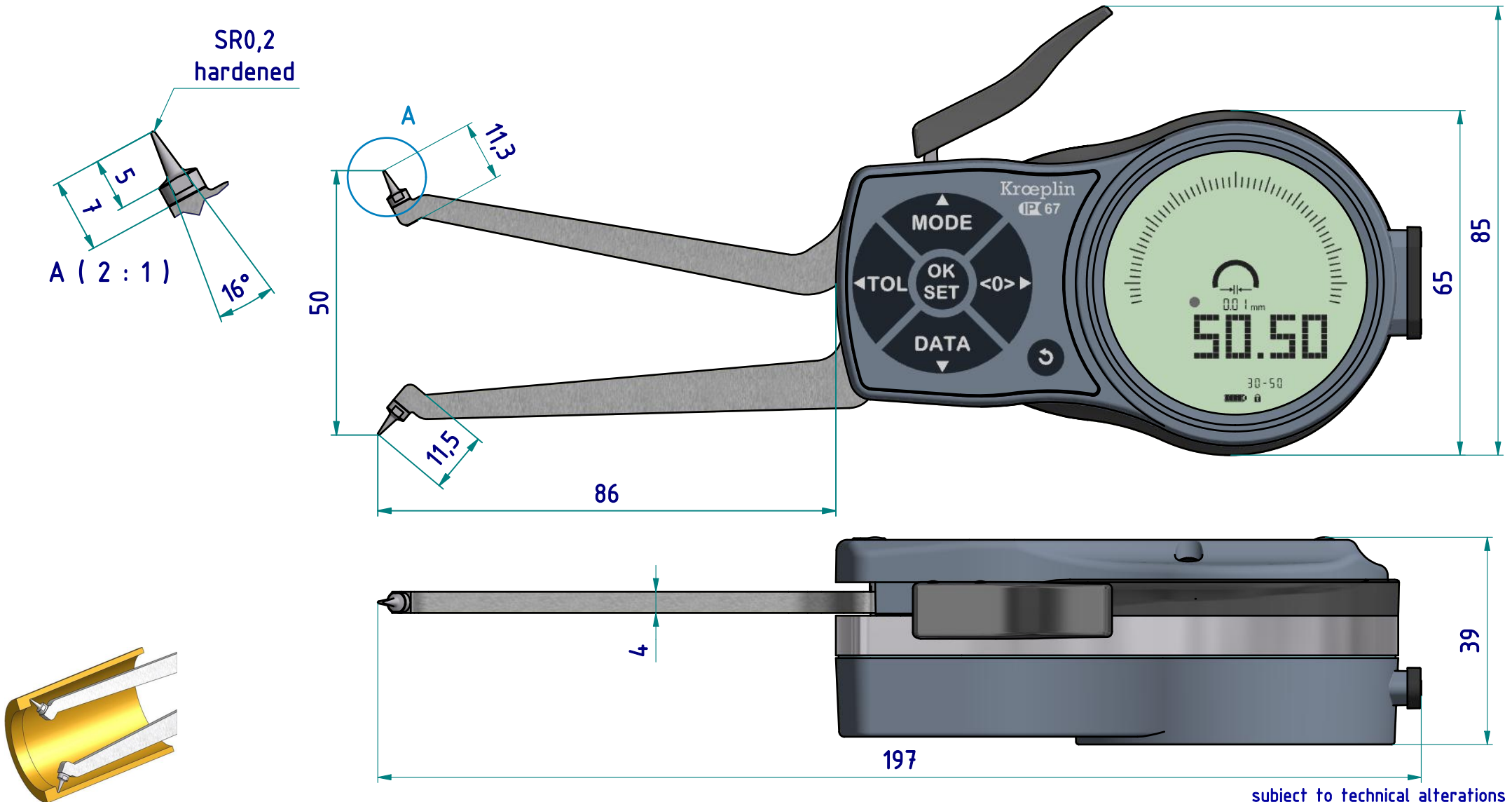


# data sheet: L2G30

Kroepelin GmbH  
Gartenstraße 50  
D-36381 Schlüchtern

**Kroepelin**  
Längenmesstechnik



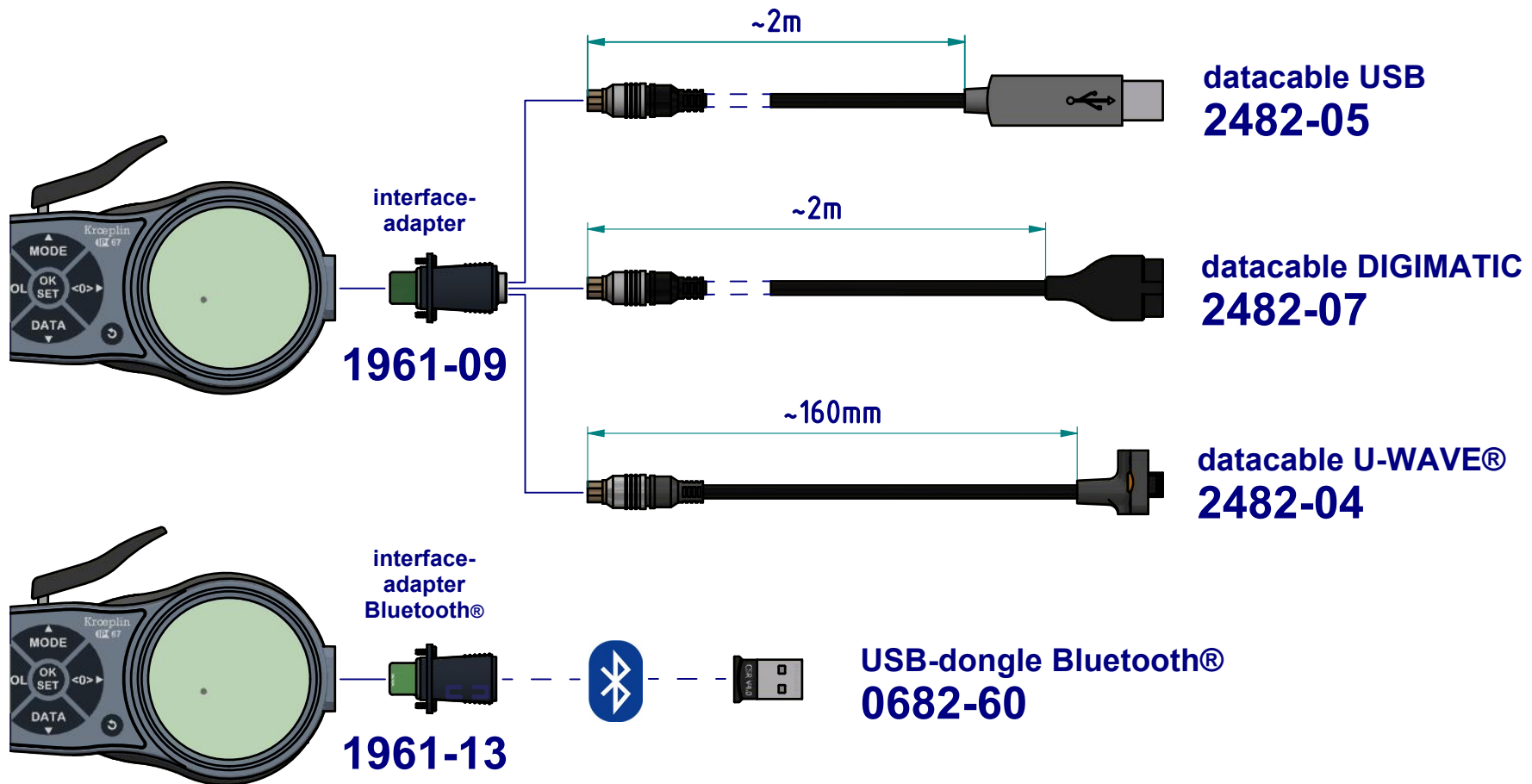
subject to technical alterations

**type:** L  
**range:** 30 - 50 mm  
**range of indication:** 29,5 - 50,5 mm  
**digital step:** 0,01 mm  
**scale interval:** -  
**measuring force:** 1,1 - 1,6 N  
**weight:** 275 g

acceptable deviations  
 VDI/VDE/DGQ 2618 Bl. 12.1/13.1)  
**max. permissible errors "G":** 0,03 mm  
**repeatability "r":** 0,01 mm  
**reference temperature:** 20° C  
**operation temperature:** 10° C - 30° C  
**storage temperature:** -10° C - 50° C

**scale:** 1:1  
**drawing-nr.:** DAB-L2G30-K-e  
**date of issue:** 13.05.2020  
**name:** B. Schmidt  
  
**revision status:** 001  
**revision date:** 23.09.2020

interface as accessories available:



subject to technical alterations

drawing-nr.:	DAB-L2G30-K-e
date of issue:	13.05.2020
name:	B. Schmidt
revision status:	001
revision date:	23.09.2020