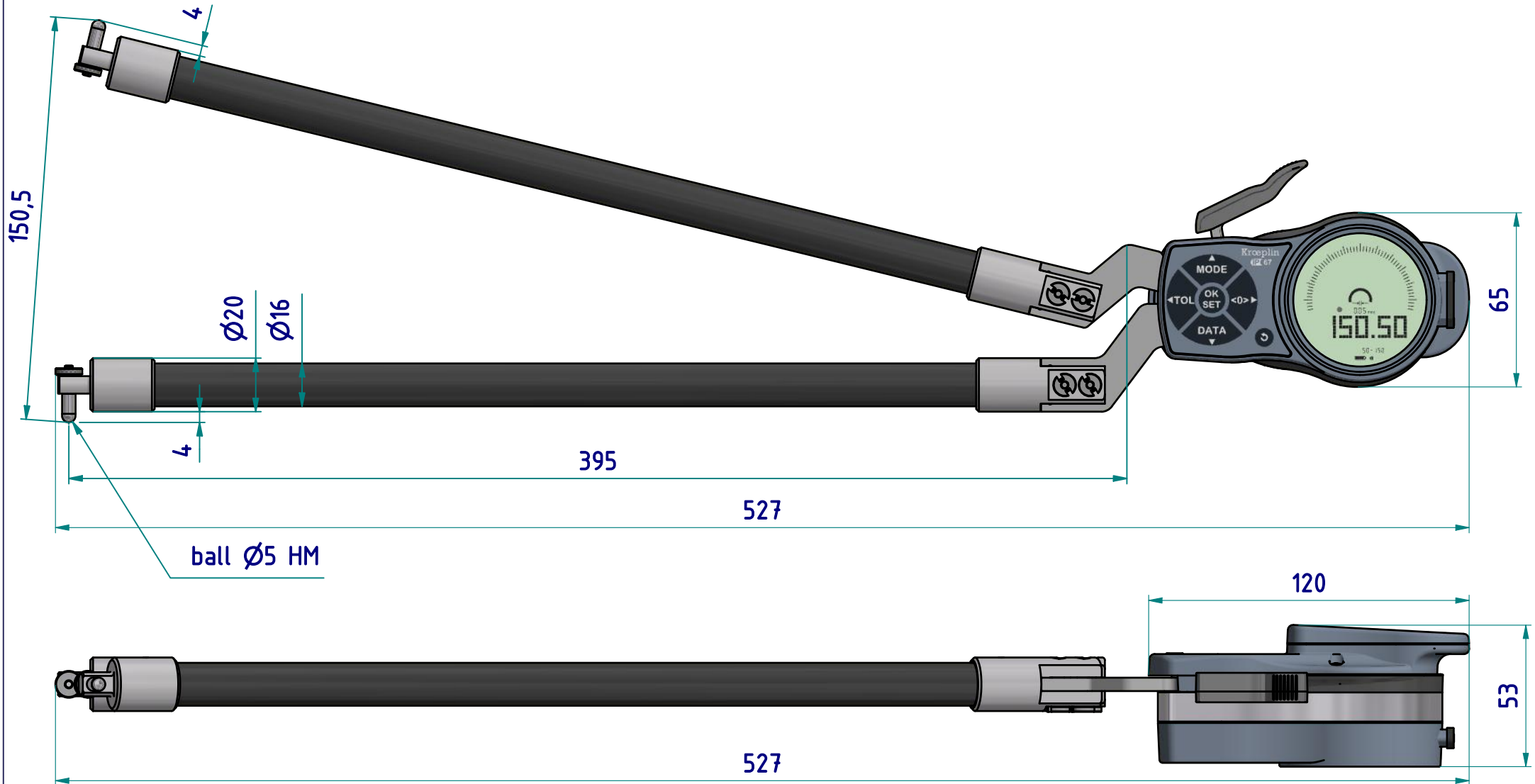


data sheet: L850

Kroepelin GmbH
 Gartenstraße 50
 D-36381 Schlüchtern

Tel.: 06661 86 0
 Fax: 06661 86 39
 Mail: sales@kroepelin.com
 Web: www.kroepelin.com

Kroepelin
 Längenmesstechnik



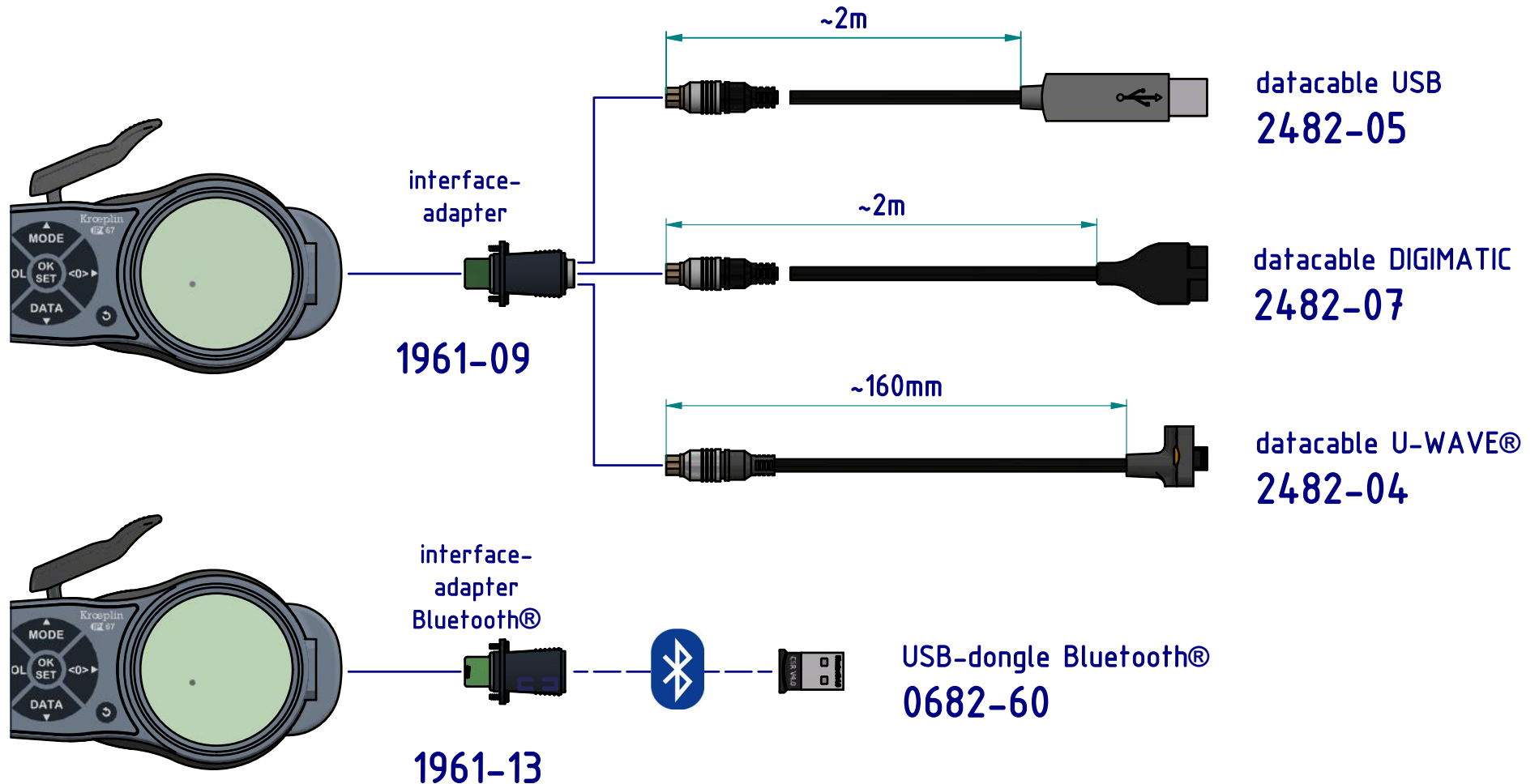
subject to technical alterations

type: L
range: 50 - 150 mm
range of indication: 49,5 - 150,5 mm
digital step: 0,05 mm
scale interval: -
measuring force: 0,8 - 2 N
weight: 650 g

acceptable deviations
 VDI/VDE/DGQ 2618 Bl. 12.1/13.1)
max. permissible errors "G": 0,15 mm
repeatability "r": 0,1 mm
reference temperature: 20° C
operation temperature: 10° C - 30° C
storage temperature: -10° C - 50° C

scale: 1:2
drawing-nr.: DAB-L850-K-e
date of issue: 05.03.2021
name: B. Schmidt
revision status:
revision date:

interface as accessories available:



subject to technical alterations

drawing-nr.: DAB-L850-K-e
date of issue: 05.03.2021
name: B. Schmidt

revision status:
revision date: