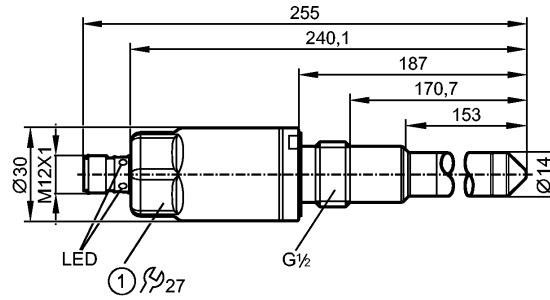


**LMT104**

LMDCE-A12E-QSKG-2/US

Level sensors



1: tightening torque 20...25 Nm

Made in Germany



**Product characteristics**

Electronic level sensor
Connector
Process connection: G ½ A
Communication interface: IO-Link 1.1 (COM2 slave, 38.4 kBaud)
Gold-plated contacts
2 switching outputs

**Application**

Application	liquid, viscous and powdery media
Recommended media	water, water-based media, oils, oil-based media, powdery media
Cannot be used for:	See the operating instructions, chapter "Function and features".

**Medium temperature oil**

- Continuous	[°C]	-20...100
- Short time	[°C]	-20...150 (1 h)

**Medium temperature water and hydrous media**

- Continuous	[°C]	-20...85
- Short time	[°C]	-20...150 (1 h)

**Electrical data**

Electrical design	DC PNP/NPN
Operating voltage	[V] 18...30 DC
Current consumption	[mA] < 50
Protection class	III
Reverse polarity protection	yes

**Outputs**

Output	2 switching outputs
Output function	2 x normally open / closed programmable
Current rating	[mA] 100
Voltage drop	[V] < 2.5
Short-circuit protection	pulsed
Overload protection	yes

**Interfaces**

IO-Link Device	
Transfer type	COM2 (38.4 kBaud)
IO-Link revision	1.1
SDCI standard	IEC 61131-9 FDIS

## LMT104

LMDCE-A12E-QSKG-2/US

Level sensors

IO-Link Device ID	370 d / 00 01 72 h
Profiles	Smart Sensor: Process Data Variable; Device Identification
SIO mode	yes
Required master port type	A
Process data analogue	1
Process data binary	2
Min. process cycle time [ms]	2.3

Environment	
Ambient temperature [°C]	-20...85, at max. 100 °C medium temperature (-20...60 °C at max. 150 °C medium temperature)
Storage temperature [°C]	-40...85
Maximum vessel pressure [bar]	-1...40
Protection	IP 68 / IP 69K

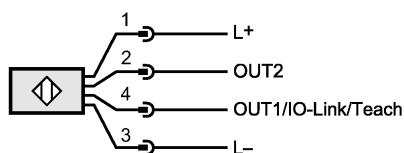
Tests / approvals	
EMC	DIN EN 61000-6-2 : 2006 DIN EN 61000-6-4 : 2011 / (closed tanks)
Shock resistance	DIN EN 60068-2-27: 50 g (11 ms)
Vibration resistance	DIN EN 60068-2-6: 8 g (10...2000 Hz)

Mechanical data	
Process connection	G ½ A
Materials (wetted parts)	PEEK; surface characteristics: Ra < 0.8; stainless steel 316L / 1.4404; stainless steel 316Ti / 1.4571; FKM
Housing materials	stainless steel 316L / 1.4404; stainless steel (1.4571/316Ti); PEEK; PEI; FKM
Weight [kg]	0.32

Displays / operating elements	
Display	Switching status 2 LED yellow operating status 2 LED green

Electrical connection	
Connection	M12 connector; Gold-plated contacts

### Wiring



Remarks	
Pack quantity [piece]	1