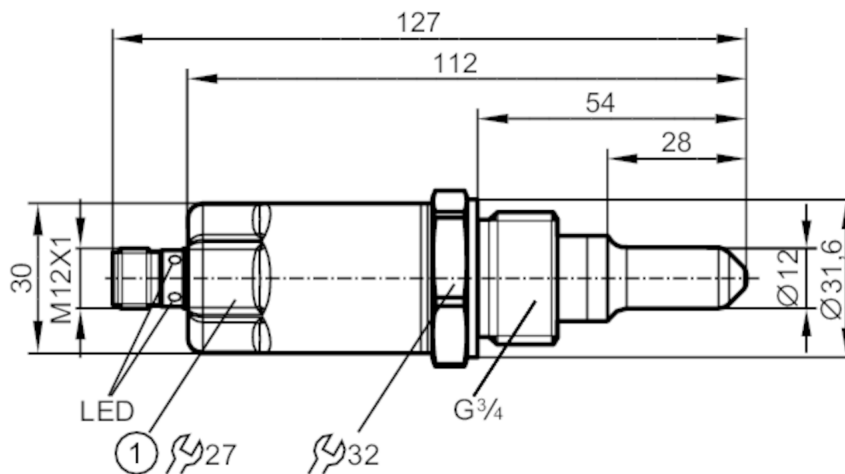


LMT202



Sensor for point level detection

LMBCE-A34E-QSKG-2/US



1 Tightening torque 35 Nm

ACS CE cUL_{US} LISTED EAC EC 1935/2004 FDA IO-Link

Made in Germany

Application		
Installation		suited for installation in existing tuning fork adapters
Media		Liquids; viscous media; powder
Recommended media		water; hydrous media; oils; oil-based media; powder
Cannot be used for		See the operating instructions, chapter "Function and features".
Probe length	[mm]	28
Tank pressure	[bar]	-1...40
oil		
Medium temperature	[°C]	-20...100
Medium temperature short time	[°C]	-20...150; (1 h)
water		
Medium temperature	[°C]	-20...100
Medium temperature short time	[°C]	-20...150; (1 h)
Electrical data		
Operating voltage	[V]	18...30 DC
Current consumption	[mA]	< 50
Protection class		III
Reverse polarity protection		yes

LMT202



Sensor for point level detection

LMBCE-A34E-QSKG-2/US

Outputs		
Total number of outputs		2
Output signal		switching signal; IO-Link
Number of digital outputs		2
Output function		normally open / normally closed; (parameterisable)
Max. voltage drop switching output DC	[V]	2.5
Permanent current rating of switching output DC	[mA]	100
Electrical design		PNP/NPN
Short-circuit protection		yes
Type of short-circuit protection		pulsed
Overload protection		yes
Measuring/setting range		
Factory setting		hydrous media
Interfaces		
Communication interface		IO-Link
Transmission type		COM2 (38,4 kBaud)
IO-Link revision		1.1
SDCI standard		IEC 61131-9
IO-Link device ID		0x000172
Profiles		Smart Sensor: Process Data Variable; Device Identification
SIO mode		yes
Required master port type		A
Process data analogue		1
Process data binary		2
Min. process cycle time	[ms]	2.3
Operating conditions		
Ambient temperature	[°C]	-20...85
Note on ambient temperature		Medium temperature: < 100 °C
		-20...60 °C
Storage temperature	[°C]	Medium temperature: < 150 °C
		-40...85
Protection		IP 68; IP 69K
Tests / approvals		
EMC	DIN EN 61000-6-2	
	DIN EN 61000-6-4	: open tanks
	DIN EN 61000-6-3	: closed tanks
Shock resistance	DIN EN 60068-2-27	50 g (11 ms)
Vibration resistance	DIN EN 60068-2-6	20 g (10...2000 Hz)
MTTF	[years]	223
UL Approval no.		H001

LMT202



Sensor for point level detection

LMBCE-A34E-QSKG-2/US

Mechanical data	
Weight [g]	280.6
Dimensions [mm]	Ø 30 / L = 112
Materials	stainless steel (1.4404 / 316L); PEEK; PEI; FKM
Materials (wetted parts)	PEEK
Process connection	G 3/4 external thread
Surface characteristics Ra/Rz of the wetted parts	< 0.8

Displays / operating elements		
Display	switching status	LEDs, yellow
	operating status	LEDs, green

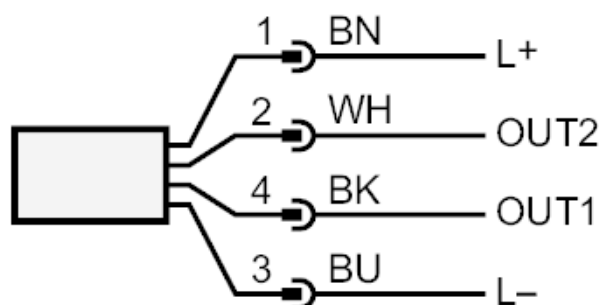
Remarks	
Pack quantity	1 pcs.

Electrical connection

Connector: 1 x M12; Contacts: gold-plated



Connection



OUT1: switching output IO-Link Teach
OUT2: switching output
colours to DIN EN 60947-5-2