

Model SADP Portable Dewpoint Meter

The world renowned Model SADP portable dewpoint meter from Shaw Moisture Meters offers an easy to use hygrometer for fast and reliable trace moisture measurement.

Designed to operate at atmospheric pressure, the Model SADP features a large, easy to read analogue indicator scaled in °C dewpoint, °F dewpoint and corresponding parts per million (ppm(v)) range. The TR versions of the Shaw SADP offer the 0-10 ppm(v) range expanded over the full scale, which is selected by means of the rotary switch on the front panel. This allows for accurate measurement below 10 ppm(v).

The key to the Shaw automatic dewpoint meter is the unique desiccant head and sensor assembly which allows the sensor to be kept dry between tests. This ensures that the instrument is always available for rapid spot checks of moisture in gases and compressed air.

The Model SADP is fully self contained and is certified intrinsically safe for use in hazardous areas to ATEX and IECEx standards, without the need for any additional accessories such as zener barriers etc.

The instrument is supplied ready for use with batteries installed, Calibration Certificate traceable to National & International Humidity Standards, two metres of PTFE sampling hose, instruction manual and a specially designed heavy duty leather case with shoulder strap.



Features

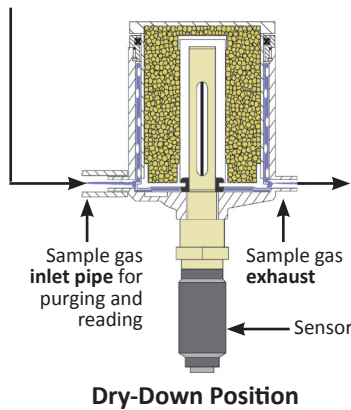
- Guaranteed accuracy $\pm 3\text{ }^{\circ}\text{C}$ to $\pm 4\text{ }^{\circ}\text{C}$ ($\pm 5.4\text{ }^{\circ}\text{F}$ to $\pm 7.2\text{ }^{\circ}\text{F}$) dewpoint
- Intrinsically safe to ATEX and IECEx standards
- Various ranges: overall range $-100\text{ }^{\circ}\text{C}$ to $+20\text{ }^{\circ}\text{C}$ ($-148\text{ }^{\circ}\text{F}$ to $+68\text{ }^{\circ}\text{F}$) dewpoint
- Extended range for 0 - 10 ppm (TR version only)
- Analogue display, indication in °C, °F and ppm(v)
- "AutoCal" calibration feature
- Desiccant dry-down chamber for instantaneous readings
- Standard "C" type battery operation
- Self-contained, robust and reliable
- Fully portable
- Simple to operate
- Over 150 hours continuous operation
- Supplied with Calibration Certificate traceable to National & International Humidity Standards



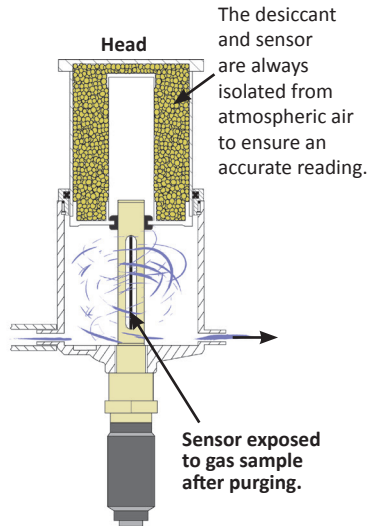
MOISTURE METERS

Desiccant Dry-Down Technology

The unique design allows purging of the gas in the "dry-down position" which will bring all surfaces and voids to equilibrium. The "head" can then be raised to take a reading.



Dry-Down Position



Read Position

The Desiccant Head Assembly

Keeping the sensor dry between tests ensures that the SADP is always ready to carry out rapid spot checks. The unique design of the *desiccant head* achieves this by surrounding the sensor with desiccant before the head is lifted for sampling.

At no time is the sensor allowed to come into contact with ambient air. The chamber is also designed so that the void space and chamber wall surfaces are purged with sample gas, prior to exposure of the sensor, giving faster, more accurate and reliable results.

Automatic Calibration

The most important and unique feature of the Shaw system is the **automatic calibration** facility. Each Shaw sensor is precisely manufactured to saturate with water vapour at its design maximum. Hence, when the sensor is exposed to moisture above its maximum operating range, it will rapidly come into equilibrium and cease to respond to any further increase in moisture. This forms the basis of automatic calibration (AutoCal).

The Shaw sensor can be checked by simply exposing it to any atmosphere which is wetter than the operating range of the sensor (usually room air is sufficient) and adjusting the calibration control on the front panel of the instrument. The sensor is now set up with the instrument and ready for use.

AutoCal can be carried out in-situ and without the need for any special equipment or skilled personnel. The net result is reduced downtime, minimal calibration costs and immediate verification of the system.



SADP complete with two metres of PTFE sampling hose, pressure calculator, instruction manual and heavy duty leather case with shoulder strap.

Specifications

DEWPOINT SENSOR

- Sensing Element**
 Shaw Ultra High Capacitance Aluminium Oxide Sensor
- Ranges**
P (Purple): -100 to 0 °C dewpoint, 0 - 6,000 ppm(v)
S (Silver): -100 to -20 °C dewpoint, 0 - 1,000 ppm(v)
G (Grey): -80 to 0 °C dewpoint, 0 - 6,000 ppm(v)
R (Red): -80 to -20 °C dewpoint, 0 - 1,000 ppm(v)
B (Blue): -80 to +20 °C dewpoint, 0 - 23,000 ppm(v)
- Intrinsic Safety Certification**
 ATEX: II 1 G Ex ia IIC T6 Ga
 IECEx: Ex ia IIC T6 Ga
- AutoCal**
 Field calibration/span check facility. Activated and operated via potentiometer on the front of the instrument
- Factory Calibration**
 Supplied with Certificate of Calibration traceable to National Physical Laboratory (NPL)
- Accuracy**
 $\pm 3\text{ }^{\circ}\text{C} / \pm 4\text{ }^{\circ}\text{C} (\pm 5.4\text{ }^{\circ}\text{F} / \pm 7.2\text{ }^{\circ}\text{F})$ dewpoint
 NPL traceable -90 °C to +20 °C (-130 °F to +68 °F)
- Response Times**
 Wet to dry: -20 °C to -60 °C - less than 120 secs
 Dry to wet: -100 °C to -20 °C - less than 20 secs
- Sample Flow Rate**
 Flow independent but ideally 2 to 5 litres per minute
 Max: 20 litres/min
- Calibration Warranty**
 12 months from date of dispatch



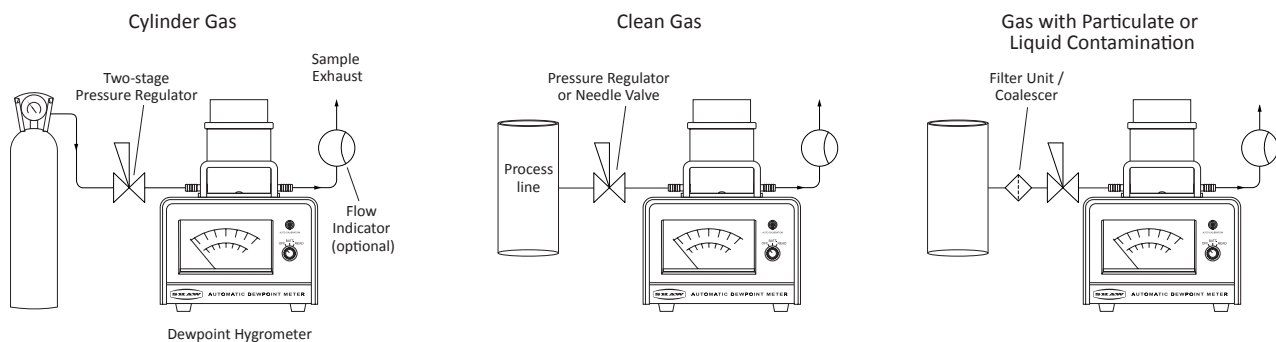
ELECTRICAL

- Electromagnetic Compatibility (EMC)**
 Immunity: complies with EN 61000-6-1:2001
 Emissions: complies with EN 61000-6-3:2000
- Warm Up Time**
 5 seconds
- Display**
 Analogue: 120 mm Taut Band indicating meter showing dewpoint and ppm with amplified range of 0 - 10 ppm on TR versions.
- Power Supply**
 9 V DC – six “C” type batteries (included)
- Battery Life**
 In excess of 150 hours continuous operation
- Resolution**
 0.1 °C, 0.2 °F dewpoint or 0.1 ppm(v)
- Repeatability**
 Better than $\pm 0.5\text{ }^{\circ}\text{C} (\pm 0.9\text{ }^{\circ}\text{F})$ dewpoint

MECHANICAL

- Dimensions and Weight**
 Overall dimensions: 200 mm (w) x 225 mm (d) x 278 mm (h) Height (328 mm with head extended) Weight 4.5 kg
- Operating Pressure**
 Atmospheric to 0.3 barg
- Operating Humidity (External)**
 Maximum - 95% RH non-condensing
- Operating Temperature** **Storage Temperature**
 -20 °C to +40 °C (-4 °F to +104 °F) -20 °C to +40 °C (-4 °F to +104 °F)
- Sensor Protection**
 316 sintered stainless steel filter - 50 micron
- Weatherproof Classification**
 IP66/NEMA 4X
- Connections**
 Two Fir Tree type on either side of desiccant chamber
- Mechanical Warranty**
 24 months in case of faulty workmanship and defective parts

Guide to Installation



Ordering Information

Model SADP

SADP - (R)



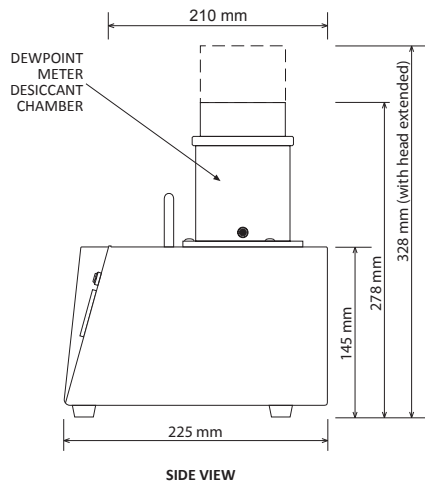
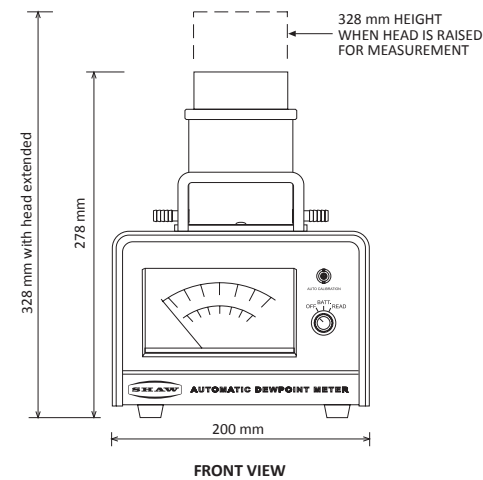
(R) - Choose required range:

P (Purple):	-100 to 0 °C dewpoint	0 - 6,000 ppm(v)
S (Silver):	-100 to -20 °C dewpoint	0 - 1,000 ppm(v)
G (Grey):	-80 to 0 °C dewpoint	0 - 6,000 ppm(v)
R (Red):	-80 to -20 °C dewpoint	0 - 1,000 ppm(v)
B (Blue):	-80 to +20 °C dewpoint	0 - 23,000 ppm(v)
TR-G (TR - GREY):	-80 to 0 °C dewpoint	0 - 6,000 & 0 - 10 ppm(v)
TR-R (TR - RED):	-80 to -20 °C dewpoint	0 - 1,000 & 0 - 10 ppm(v)

Example:

To order a Model SADP with a measuring range of -80 to 0 °C dewpoint (grey sensor) please order as **SADP-G**

SADP General Assembly Diagram



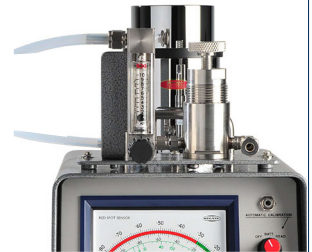
Related Products

SU3 Sample Plate

for mounting on the side of the SADP, comprising flow meter, filter unit and pressure regulator (210 bar).



SU2 Sample Plate for mounting on top of the SADP, comprising flow meter and pressure regulator (210 bar).



Pressure Regulator

Pressure regulators (Model PRV) are used for accurate control of pressure at all important points in a sample system.



Flow Meter

This compact flow meter (Model FLMET) is used to provide a visual indication and fine control of sample flow.



Service Kit

Includes desiccant, head seal kit, grommet, silicone grease and batteries.

Includes as standard:

Sensor, batteries installed, Calibration Certificate, two metres PTFE sampling hose, instruction manual, leather case/fabric case, pressure calculator, screw driver and Allen key.