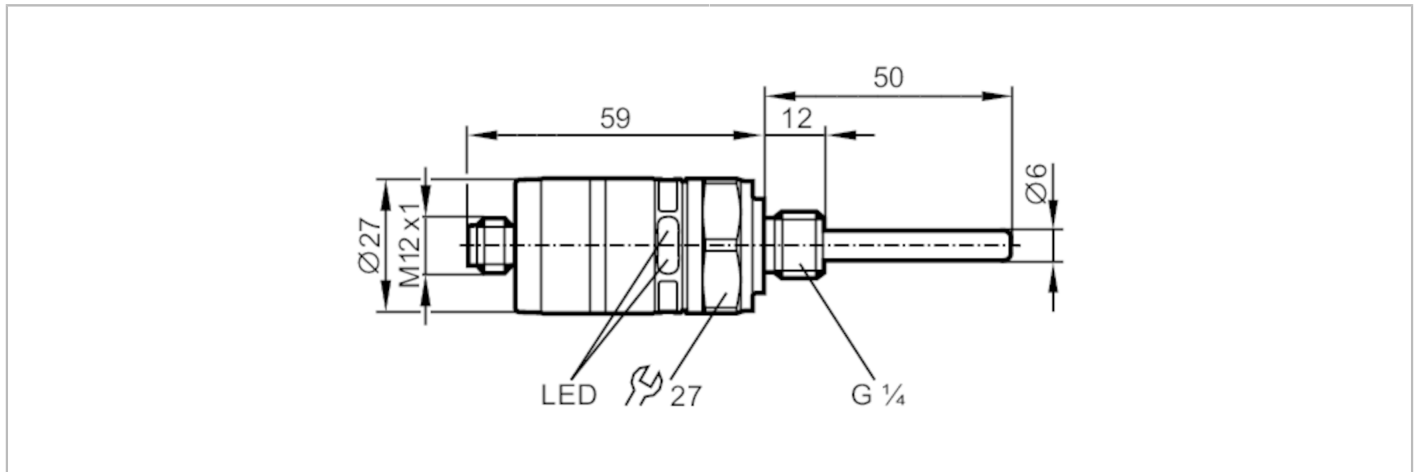


# TK7110



## Temperature switch with intuitive switch point setting

TK-050CLFR14-QSPKG / US



Made in United States

Application		
Measuring element	1 x Pt 1000; (to DIN EN 60751, class A)	
Media	liquids and gases	
Medium temperature	[°C]	-40...145
Pressure rating	[bar]	400
Electrical data		
Operating voltage	[V]	9.6...32 DC; ("supply class 2" to cULus)
Current consumption	[mA]	< 30
Protection class		III
Reverse polarity protection		yes
Power-on delay time	[s]	0.5
Outputs		
Total number of outputs		2
Output signal		switching signal
Number of digital outputs		2
Output function		normally open
Max. voltage drop switching output DC	[V]	2
Permanent current rating of switching output DC	[mA]	500
Electrical design		PNP
Short-circuit protection		yes
Type of short-circuit protection		pulsed
Overload protection		yes
Measuring/setting range		
Measuring range	-25...140 °C	-13...284 °F
Set point SP	-20...140 °C	-4...284 °F

# TK7110



## Temperature switch with intuitive switch point setting

TK-050CLFR14-QSPKG / US

Accuracy / deviations		
Temperature drift per 10 K	[K]	0.1 **)
Repeatability	[K]	± 0,1
Setting accuracy	[K]	± 3
Response times		
Dynamic response T05 / T09	[s]	1 / 3; (to DIN EN 60751)
Software / programming		
Adjustment of the switch point		setting rings
Operating conditions		
Ambient temperature	[°C]	-40...80
		at medium temperature: < 80 °C
Note on ambient temperature		-40...50 °C
		at medium temperature: < 145 °C
Storage temperature	[°C]	-40...100
Protection		IP 67
Tests / approvals		
EMC	DIN EN 61000-4-2 ESD	4 kV CD / 8 kV AD
	EN 61000-4-3 HF radiated	10 V/m
	DIN EN 61000-4-4 Burst	2 kV
	EN 61000-4-6 HF conducted	10 V
Shock resistance	DIN IEC 68-2-27	50 g (11 ms)
Vibration resistance	DIN EN 60068-2-6	20 g (10...2000 Hz)
MTTF	[years]	643.1
UL Approval no.		K018
Mechanical data		
Weight	[g]	103.8
Materials		stainless steel (1.4404 / 316L); PC; PBT; FKM
Materials (wetted parts)		stainless steel (1.4404 / 316L); FKM
Tightening torque	[Nm]	35
Process connection		threaded connection G 1/4
Probe diameter	[mm]	6
Installation length EL	[mm]	50
Displays / operating elements		
Display	switching status	2 x LED, yellow
Remarks		
Remarks	**) in case of deviation from the reference condition 25 °C The values for accuracy apply to flowing water.	
Pack quantity		1 pcs.
Electrical connection		
Connector: 1 x M12; Contacts: gold-plated		

# TK7110

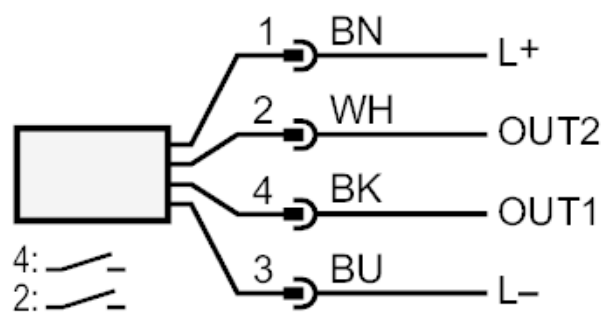


## Temperature switch with intuitive switch point setting

TK-050CLFR14-QSPKG / US



### Connection



colours to DIN EN 60947-5-2

Core colours :

BK =	black
BN =	brown
BU =	blue
WH =	white